

7 = PORTAUTENSILE PER TORNITURA INTERNA / Internal turning toolholder
 8 = PORTAUTENSILE PER TORNITURA ESTERNA / External turning toolholder

DIMENSIONE ATTACCO TORRETTA / Turret dimension

TIPOLOGIA PORTAUTENSILE / Toolholder type

DIMENSIONE PRINCIPALE / Principal dimension

DIMENSIONE AGGIUNTIVA / Secondary dimension

CHIA-MO cod.

7M8C40 R H120

**R = PORTAUTENSILE MONTATO CON
 PREDISPOSIZIONE PER
 REFRIGERAZIONE INTERNA**

R = The toolholder is assembled for internal coolant

**senza R = PORTAUTENSILE MONTATO CON
 PREDISPOSIZIONE PER
 REFRIGERAZIONE ESTERNA**

without R = The toolholder is assembled for external coolant

TORNIO / Lathe

B	= BIGLIA	pag. 62
C	= CMZ	pag. 71
D	= DOOSAN	pag. 56
G	= GOODWAY	pag. 81
H	= HAAS	pag. 76
K	= OKUMA	pag. 78
M	= MORI SEIKI / DMG MORI	pag. 44
MU	= MURATEC	pag. 80
N	= NAKAMURA	pag. 67

MODELLI / Models

NL / NLX 1500/2000/2500/3000 (12 station turret)

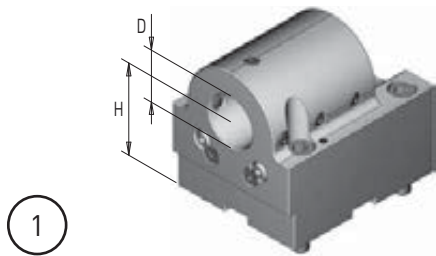
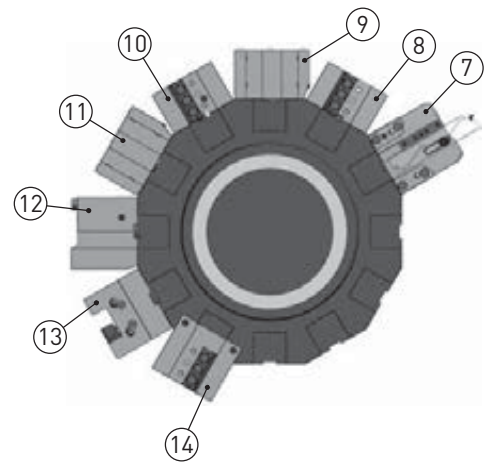
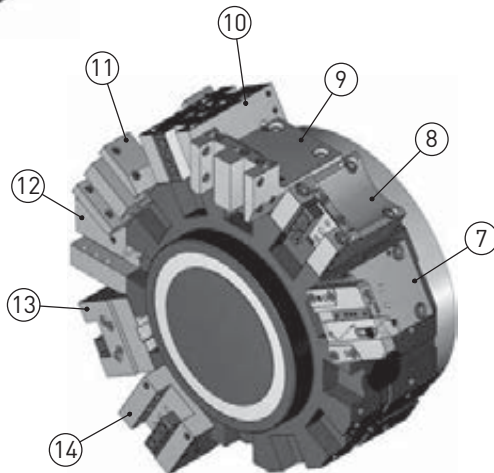
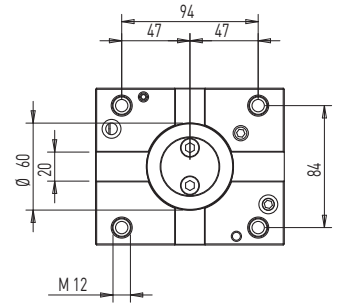
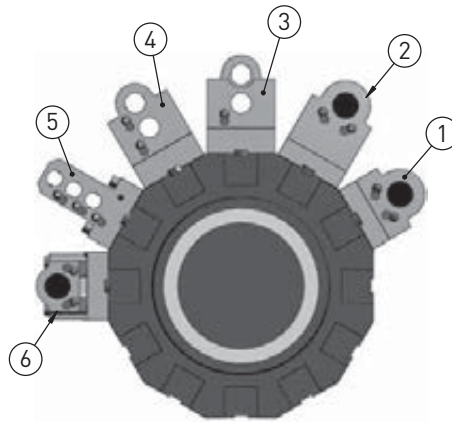
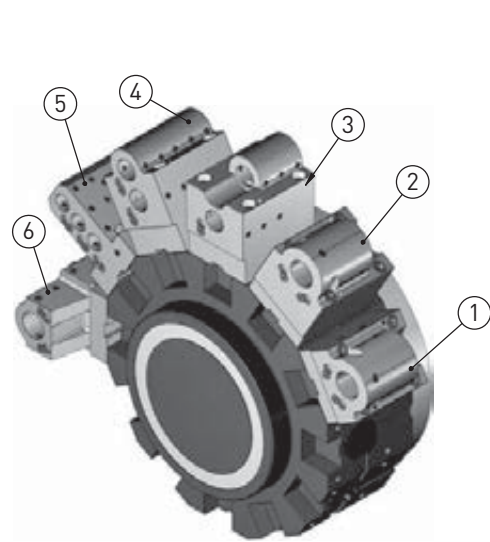
NT 4000/4200/4250/4300/5000/5400

NZL 2000/2500

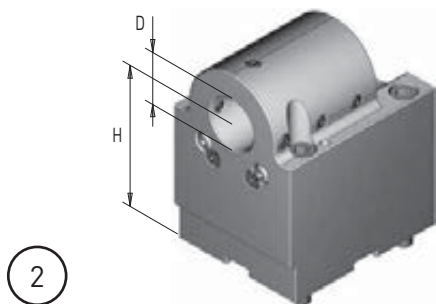
NZX 2500 (12 station turret)

MACCHINE COMPATIBILI / Compatibility machines

Goodway G4 / GS 2000/2600/2800/3000/3300/3600



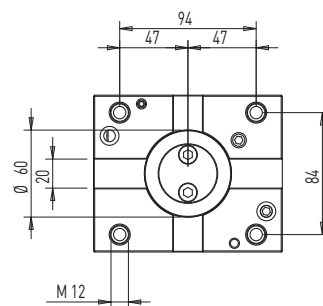
Art. / Code	Art. / Code DMG MORI	D	H	Coolant IN	Coolant OUT
7M8C40	T10097	40	80	✓	✓
7M8C40 R	T13128	40	80	✓	✓
7M8C50	T10098	50	80	X	✓
7M8C50 R	/	50	80	✓	✓



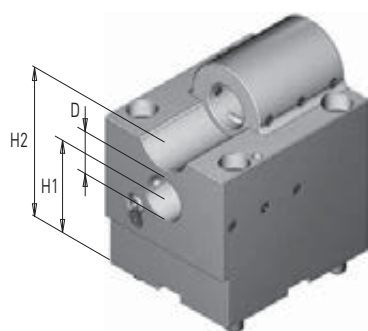
Art. / Code	Art. / Code DMG MORI	D	H	Coolant IN	Coolant OUT
7M8C40 H120	T10113	40	120	✓	✓
7M8C40 R H120	T13131	40	120	✓	✓
7M8C50 H120	T10114	50	120	X	✓

MODELLI / Models
 NL / NLX 1500/2000/2500/3000 (12 station turret)
 NT 4000/4200/4250/4300/5000/5400
 NZL 2000/2500
 NZX 2500 (12 station turret)

MACCHINE COMPATIBILI / Compatibility machines
 Goodway G4 / GS 2000/2600/2800/3000/3300/3600

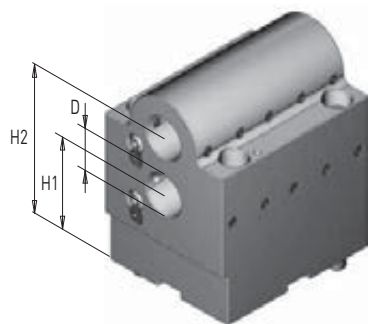


3



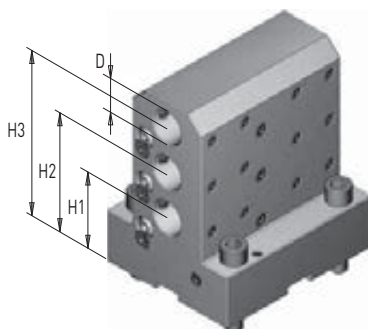
Art. / Code	Art. / Code DMG MORI	D	H1	H2	Coolant IN	Coolant OUT
7M8D32	T10096	32	80	125	✓	✓

4



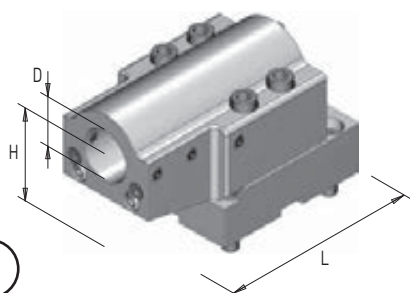
Art. / Code	Art. / Code DMG MORI	D	H1	H2	Coolant IN	Coolant OUT
7M8D32 L	/	32	80	125	✓	✓

5



Art. / Code	Art. / Code DMG MORI	D	H1	H2	H3	Coolant IN	Coolant OUT
7M8T25 L	T10104	25	60	95	130	✓	✓

6

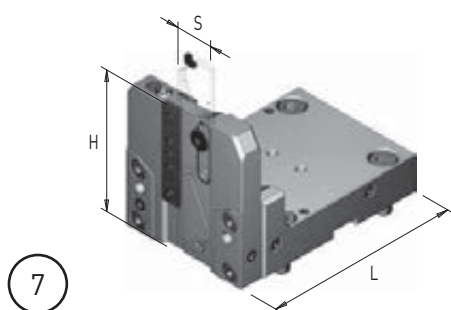
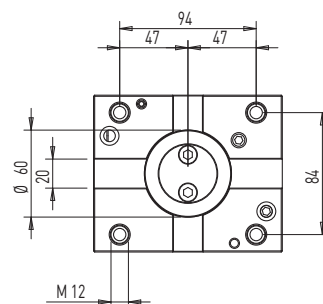


Art. / Code	Art. / Code DMG MORI	D	H	L	Coolant IN	Coolant OUT
7M87M6 + 7M6L40	T23018 + T10038	40	80	190	✓	✓
7M87M6 + 7M6L50	T23018 + T10038	50	80	190	✓	✓

MORI SEIKI / DMG MORI - NL

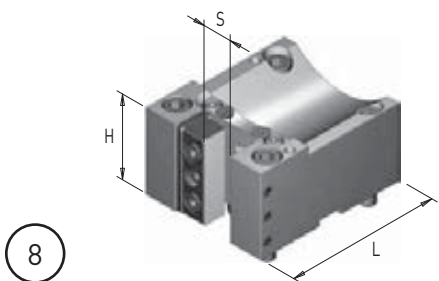
MODELLI / Models
 NL / NLX 1500/2000/2500/3000 (12 station turret)
 NT 4000/4200/4250/4300/5000/5400
 NZL 2000/2500
 NZX 2500 (12 station turret)

MACCHINE COMPATIBILI / Compatibility machines
 Goodway G4 / GS 2000/2600/2800/3000/3300/3600



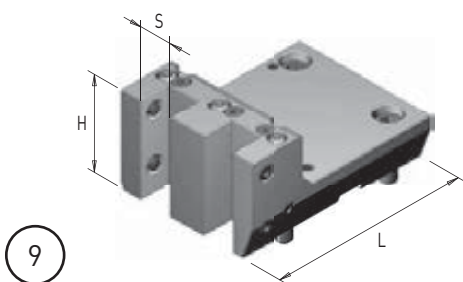
7

Art. / Code	Art. / Code DMG MORI	S	H	L	Coolant IN	Coolant OUT
8M8B32	/	ISCAR 32	95	160	✓	✓



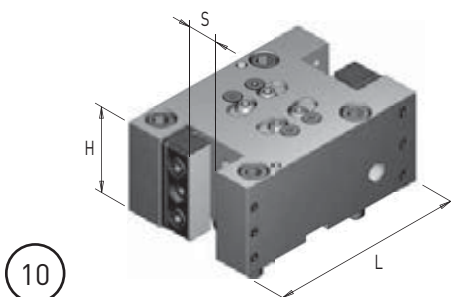
8

Art. / Code	Art. / Code DMG MORI	S	H	L	Coolant IN	Coolant OUT
8M8V40	T00187	20x20	65	130	X	✓
8M8V50	T00186	25x25	70	130	X	✓



9

Art. / Code	Art. / Code DMG MORI	S	H	L	Coolant IN	Coolant OUT
8M8V25 D	/	25x25	78	164	X	✓



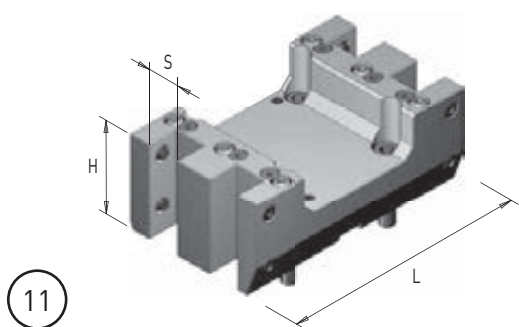
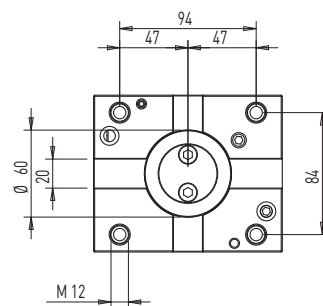
10

Art. / Code	Art. / Code DMG MORI	S	H	L	Coolant IN	Coolant OUT
8M8D40	T00185	20x20	65	150	X	✓
8M8D50	T00184	25x25	70	155	X	✓

MORI SEIKI / DMG MORI - NL

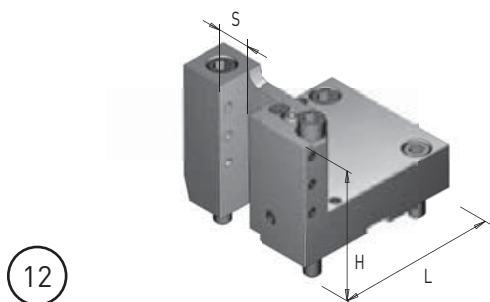
MODELLI / Models
 NL / NLX 1500/2000/2500/3000 (12 station turret)
 NT 4000/4200/4250/4300/5000/5400
 NZL 2000/2500
 NZX 2500 (12 station turret)

MACCHINE COMPATIBILI / Compatibility machines
 Goodway G4 / GS 2000/2600/2800/3000/3300/3600



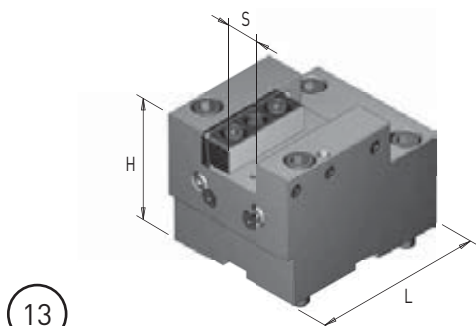
11

Art. / Code	Art. / Code DMG MORI	S	H	L	Coolant IN	Coolant OUT
8M8D25 Q	/	25x25	78	197	X	✓



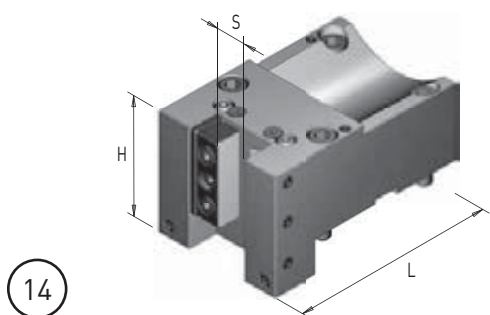
12

Art. / Code	Art. / Code DMG MORI	S	H	L	Coolant IN	Coolant OUT
8M8B25	T00197	25x25	95	130	X	✓



13

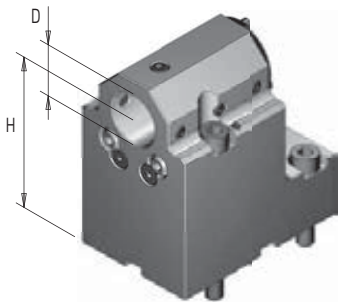
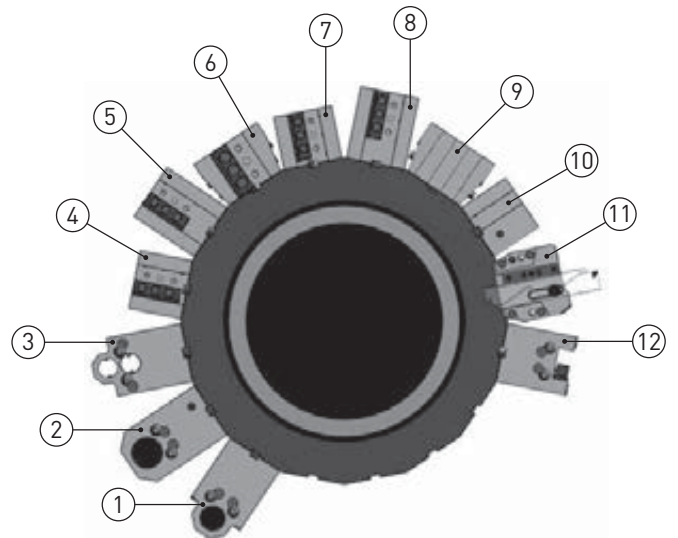
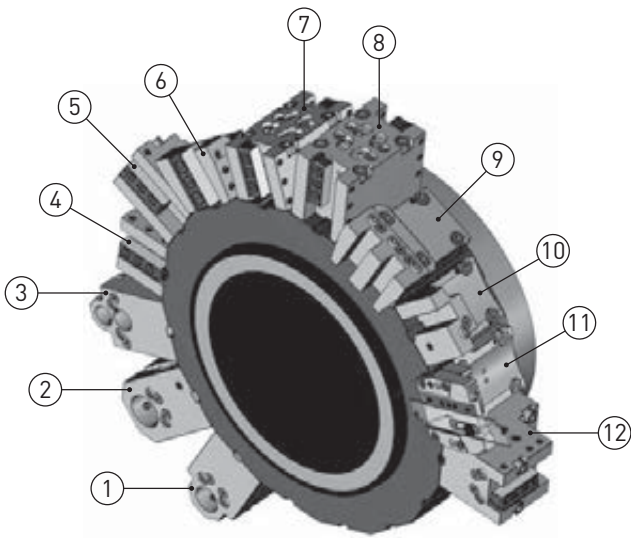
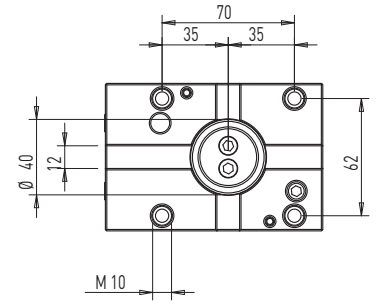
Art. / Code	Art. / Code DMG MORI	S	H	L	Coolant IN	Coolant OUT
8M8C40	T03006	20x20	70	130		
8M8C50	T03005	25x25	100	130		



14

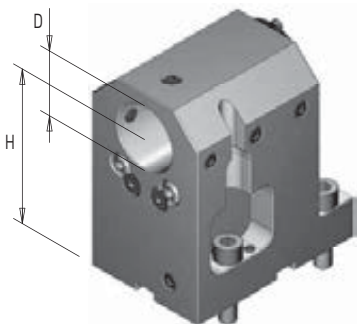
Art. / Code	Art. / Code DMG MORI	S	H	L	Coolant IN	Coolant OUT
8M8V50 L	/	25x25	98	169	X	✓

MODELLI / Models
NZ 1500/2000/3100
NT / NTZ 1000/2000/3000/3100/3150/3200
NZ / NZX 2000/2500 (16 station turret)
NL / NLX 1500/2000/2500 (20 station turret)
DURATURN 2050/2550 MC



1

Art. / Code	Art. / Code DMG MORI	D	H	Coolant IN	Coolant OUT
7M5C32	T10115	32	100	✓	✓
7M5C32 R	T13132	32	100	✓	✓

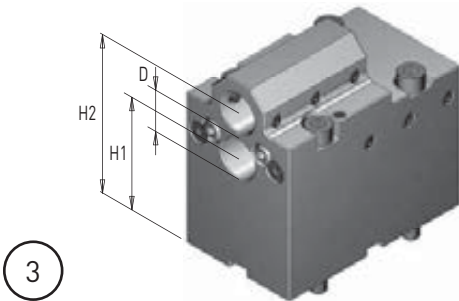
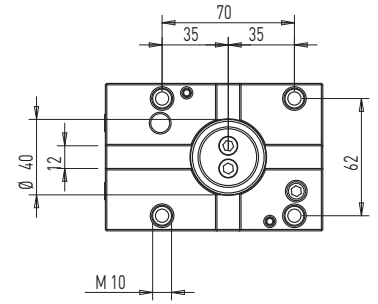


2

Art. / Code	Art. / Code DMG MORI	D	H	Coolant IN	Coolant OUT
7M5C40	/	40	100	✓	✓
7M5C40 R	/	40	100	✓	✓

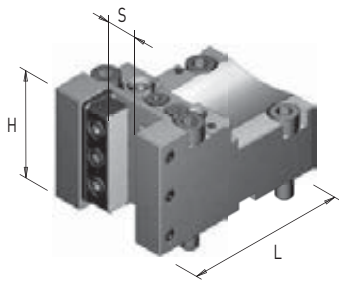
MORI SEIKI / DMG MORI - NZ

MODELLI / Models
 NZ 1500/2000/3100
 NT / NTZ 1000/2000/3000/3100/3150/3200
 NZ / NZX 2000/2500 (16 station turret)
 NL / NLX 1500/2000/2500 (20 station turret)
 DURATURN 2050/2550 MC



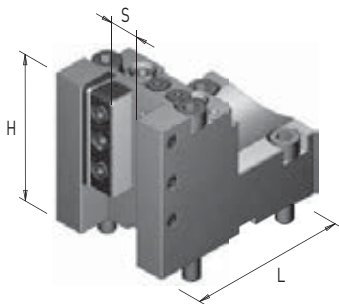
3

Art. / Code	Art. / Code DMG MORI	D	H1	H2	Coolant IN	Coolant OUT
7M5D25	T10117	25	75	105	✓	✓



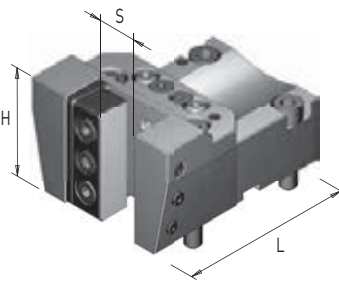
4

Art. / Code	Art. / Code DMG MORI	S	H	L	Coolant IN	Coolant OUT
8M5V40	T00224	20x20	70	115	✗	✓



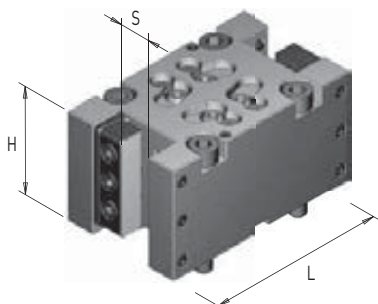
5

Art. / Code	Art. / Code DMG MORI	S	H	L	Coolant IN	Coolant OUT
8M5V40 H95	T00225	20x20	95	115	✗	✓



6

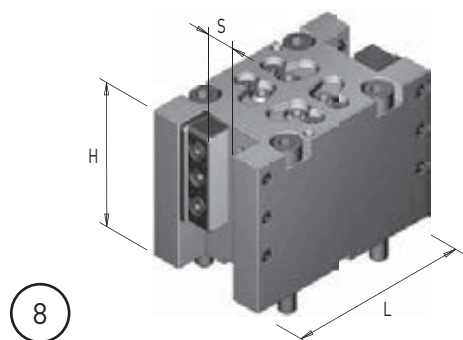
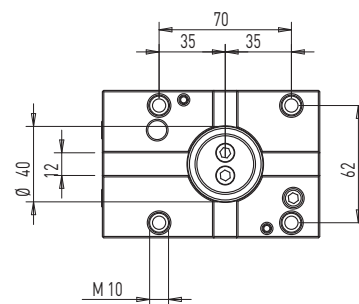
Art. / Code	Art. / Code DMG MORI	S	H	L	Coolant IN	Coolant OUT
8M5V50	/	25x25	70	124	✗	✓



7

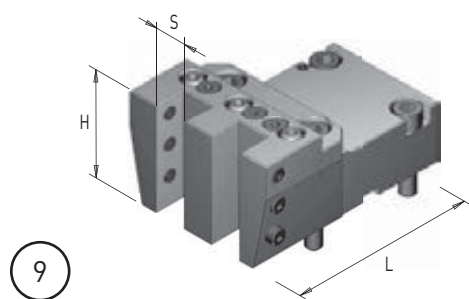
Art. / Code	Art. / Code DMG MORI	S	H	L	Coolant IN	Coolant OUT
8M5D40	T00228	20x20	70	130	✗	✓

MODELLI / Models
 NZ 1500/2000/3100
 NT / NTZ 1000/2000/3000/3100/3150/3200
 NZ / NZX 2000/2500 (16 station turret)
 NL / NLX 1500/2000/2500 (20 station turret)
 DURATURN 2050/2550 MC



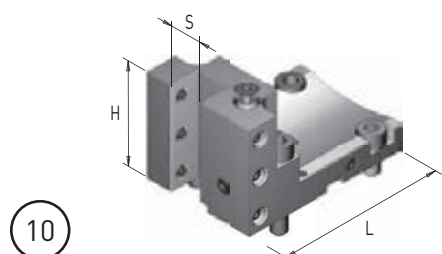
8

Art. / Code	Art. / Code DMG MORI	S	H	L	Coolant IN	Coolant OUT
8M5D40 H95	T00226	20x20	95	130	X	✓



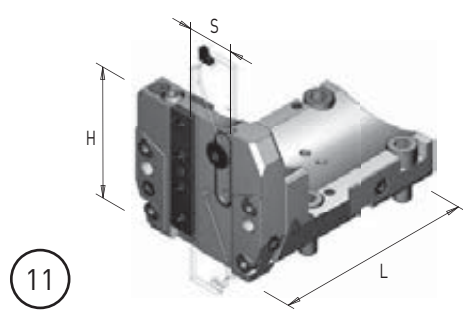
9

Art. / Code	Art. / Code DMG MORI	S	H	L	Coolant IN	Coolant OUT
8M5V20 D	/	20x20	70	139	X	✓



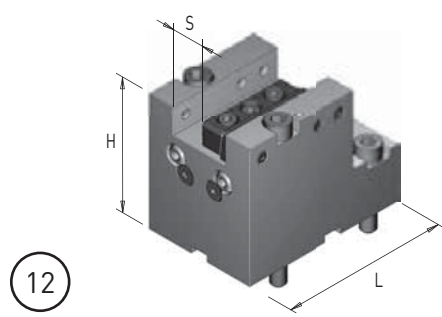
10

Art. / Code	Art. / Code DMG MORI	S	H	L	Coolant IN	Coolant OUT
8M5B20	T00251	20x20	70	115	X	✓



11

Art. / Code	Art. / Code DMG MORI	S	H	L	Coolant IN	Coolant OUT
8M5B32	/	ISCAR 32	80	135	✓	✓



12

Art. / Code	Art. / Code DMG MORI	S	H	L	Coolant IN	Coolant OUT
8M5C40	T03017	20x20	92	115	X	✓

MORI SEIKI / DMG MORI - SL

MODELLI / Models

CL 200/203

SL 20/25

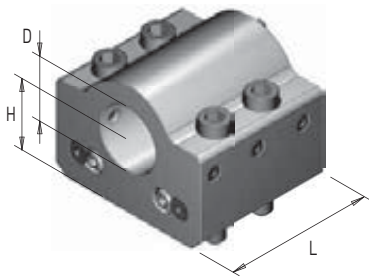
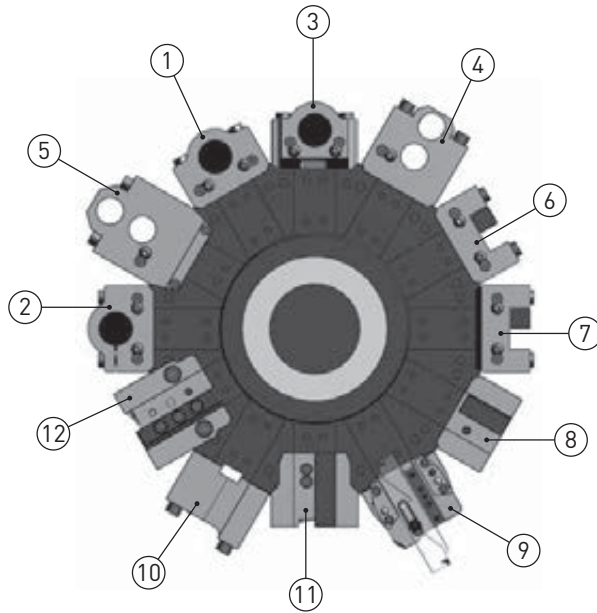
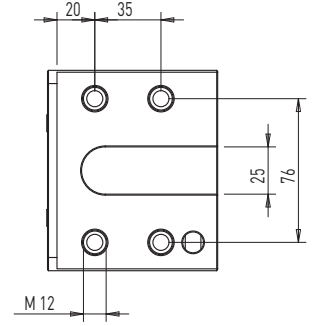
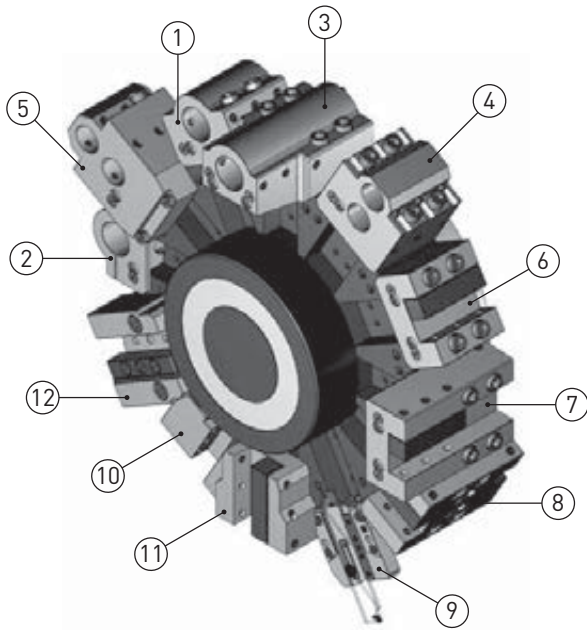
SL 200/203/204/250/253/254 (MC, SMC) - 2500Y

ZL/DL 200/250 (MC)

MACCHINE COMPATIBILI / Compatibility machines

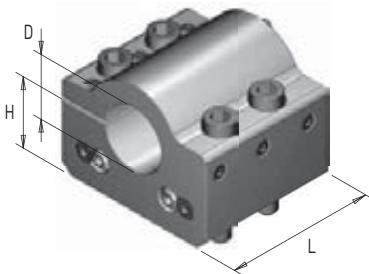
Goodway GS 200/260/280

Goodway GA 2000/2600/2800/3000/3300/3600



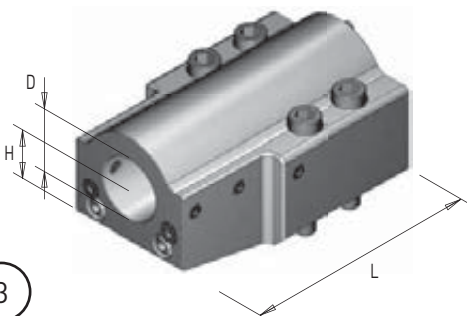
1

Art. / Code	Art. / Code DMG MORI	D	H	L	Coolant IN	Coolant OUT
7M6C40	T10036	40	40	90	✓	✓
7M6C40 R	T13064	40	40	90	✓	✓
7M6C50	T10044	50	40	90	✓	✓
7M6C50 R	T10044	50	40	90	✓	✓



2

Art. / Code	Art. / Code DMG MORI	D	H	L	Coolant IN	Coolant OUT
7M6C40 B	/	40	40	90	X	✓



3

Art. / Code	Art. / Code DMG MORI	D	H	L	Coolant IN	Coolant OUT
7M6L40	T10038	40	40	160	✓	✓
7M6L40 R	T10038	40	40	160	✓	✓
7M6L50	T10094	50	40	160	✓	✓
7M6L50 R	T10094	50	40	160	✓	✓

MORI SEIKI / DMG MORI - SL

MODELLI / Models

CL 200/203

SL 20/25

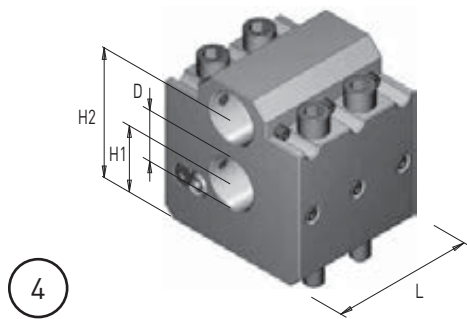
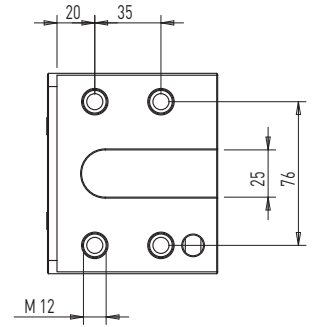
SL 200/203/204/250/253/254 (MC, SMC) - 2500Y

ZL/DL 200/250 (MC)

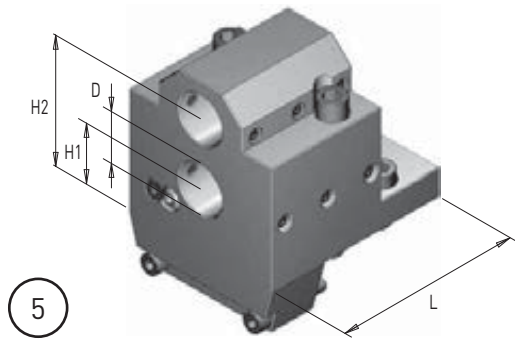
MACCHINE COMPATIBILI / Compatibility machines

Goodway GS 200/260/280

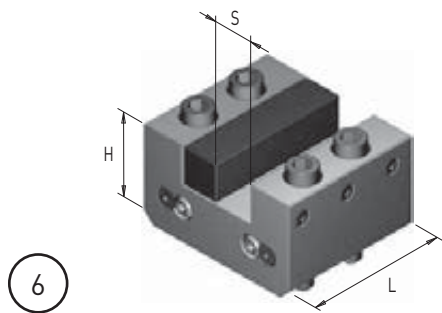
Goodway GA 2000/2600/2800/3000/3300/3600



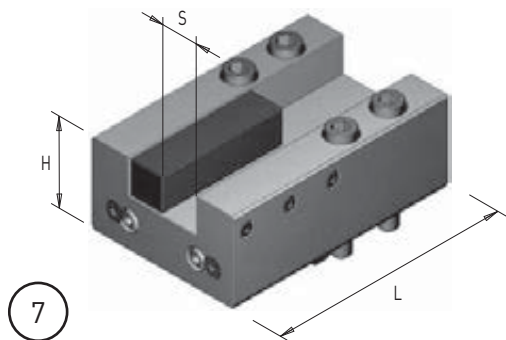
Art. / Code	Art. / Code DMG MORI	D	H1	H2	L	Coolant IN	Coolant OUT
7M6D32	T10086	32	40	85	90	✓	✓



Art. / Code	Art. / Code DMG MORI	D	H1	H2	L	Coolant IN	Coolant OUT
7M6D32 L	T10208	32	40	85	125	✓	✓



Art. / Code	Art. / Code DMG MORI	S	H	L	Coolant IN	Coolant OUT
8M6C50	T00068	25x25	55	90	X	✓

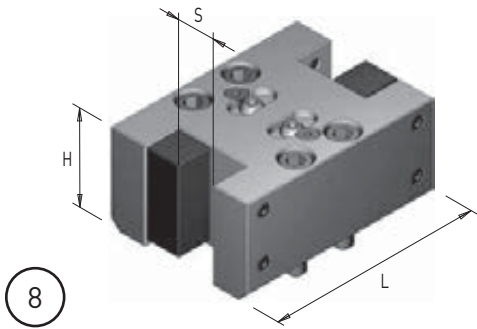


Art. / Code	Art. / Code DMG MORI	S	H	L	Coolant IN	Coolant OUT
8M6L50	T00082	25x25	60	160	X	✓

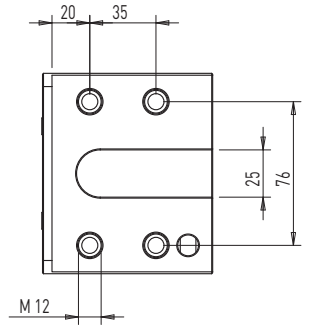
MORI SEIKI / DMG MORI - SL

MODELLI / Models
 CL 200/203
 SL 20/25
 SL 200/203/204/250/253/254 (MC, SMC) - 2500Y
 ZL/DL 200/250 (MC)

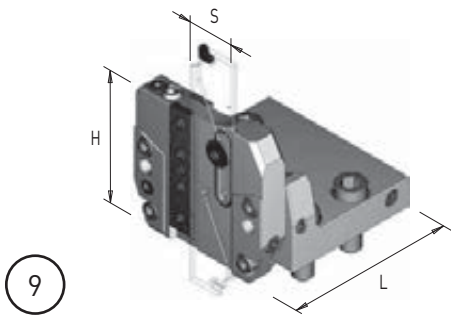
MACCHINE COMPATIBILI / Compatibility machines
 Goodway GS 200/260/280
 Goodway GA 2000/2600/2800/3000/3300/3600



8

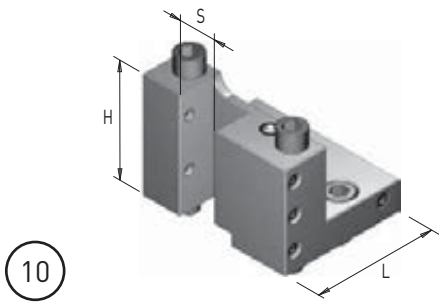


Art. / Code	Art. / Code DMG MORI	S	H	L	Coolant IN	Coolant OUT
8M6D50	T00158	25x25	60	139	X	✓



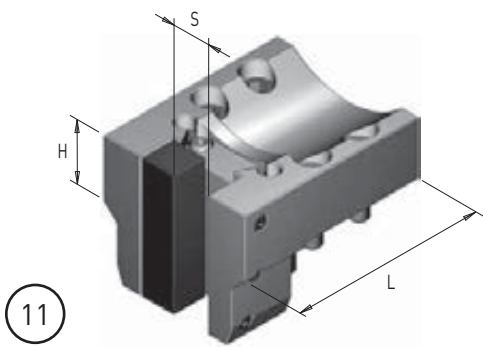
9

Art. / Code	Art. / Code DMG MORI	S	H	L	Coolant IN	Coolant OUT
8M6B32	/	ISCAR 32	80	103	✓	✓



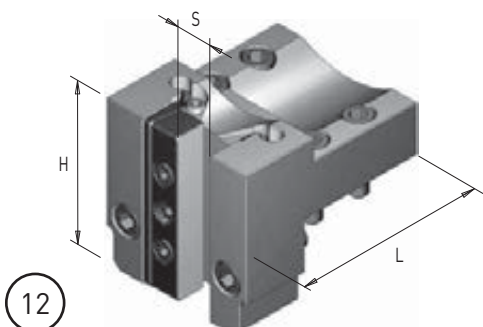
10

Art. / Code	Art. / Code DMG MORI	S	H	L	Coolant IN	Coolant OUT
8M6B25	T00156	25x25	78	85	X	✓



11

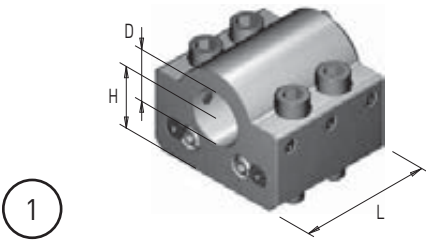
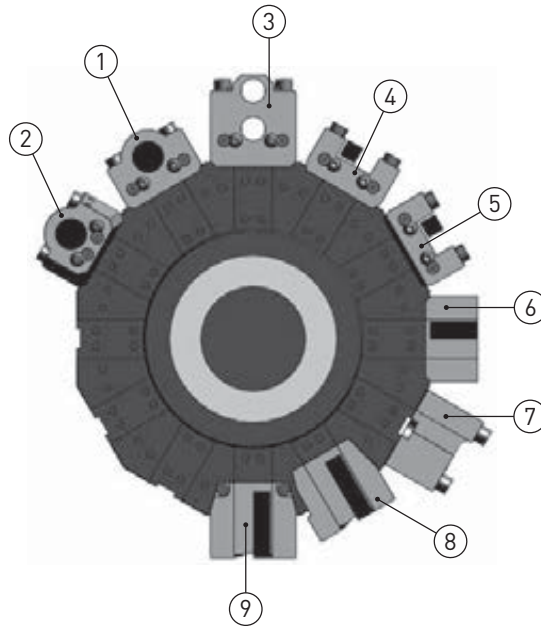
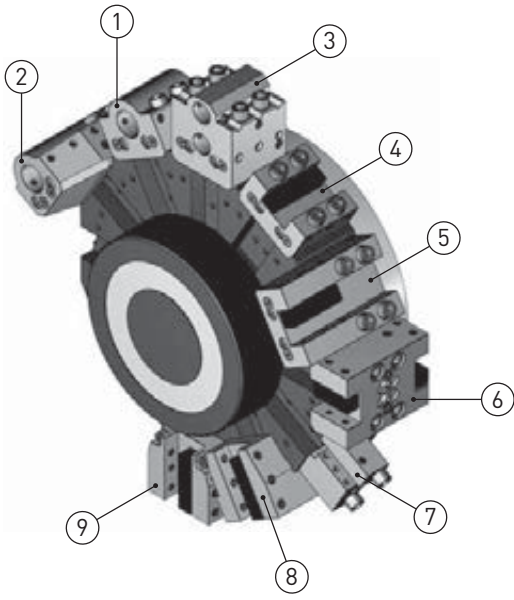
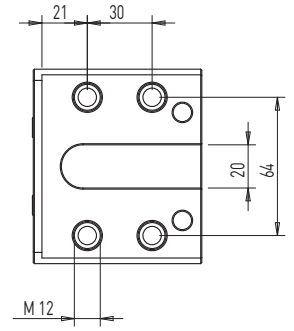
Art. / Code	Art. / Code DMG MORI	S	H	L	Coolant IN	Coolant OUT
8M6V50	T00074	25x25	90	130	X	✓
8M6V50 L	T00076	25x25	90	155	X	✓



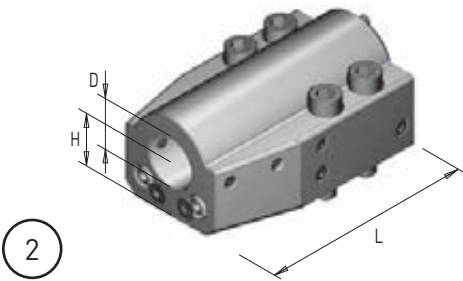
12

Art. / Code	Art. / Code DMG MORI	S	H	L	Coolant IN	Coolant OUT
8M6T50	T00162	25x25	109	130	X	✓
8M6T50 L	T00164	25x25	109	160	X	✓

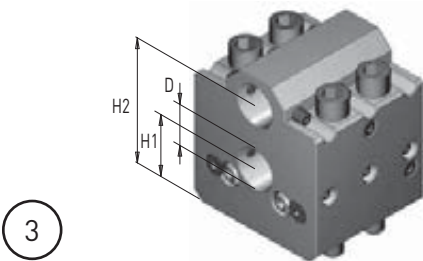
MODELLI / Models
SL/ZL 150/153/154
DL 150



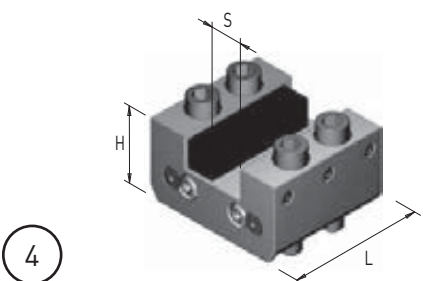
Art. / Code	Art. / Code DMG MORI	D	H	L	Coolant IN	Coolant OUT
7M3C32	T10046	32	35	79	✓	✓
7M3C32 R	T13066	32	35	79	✓	✓



Art. / Code	Art. / Code DMG MORI	D	H	L	Coolant IN	Coolant OUT
7M3L32	T10052	32	35	139	✓	✓



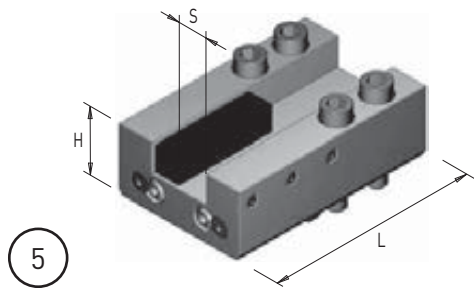
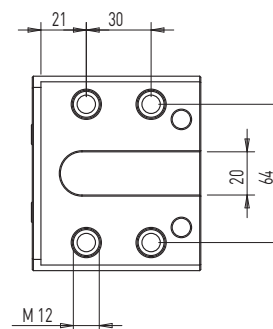
Art. / Code	Art. / Code DMG MORI	D	H1	H2	Coolant IN	Coolant OUT
7M3D25	T10082	25	35	75	✓	✓
7M3D25 R	T10082	25	35	75	✓	✓



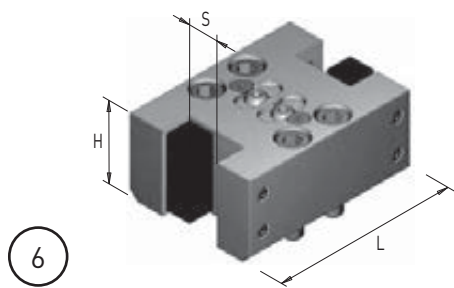
Art. / Code	Art. / Code DMG MORI	S	H	L	Coolant IN	Coolant OUT
8M3C40	T00080	20x20	45	78	x	✓

MORI SEIKI / DMG MORI - SL

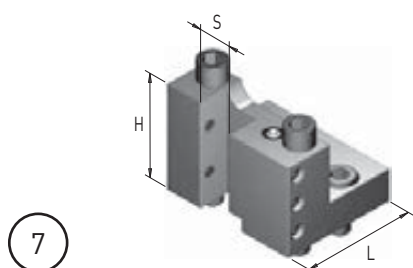
MODELLI / Models
SL/ZL 150/153/154
DL 150



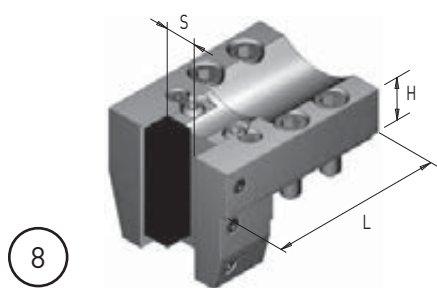
Art. / Code	Art. / Code DMG MORI	S	H	L	Coolant IN	Coolant OUT
8M3L40	T00148	20x20	50	139	X	✓



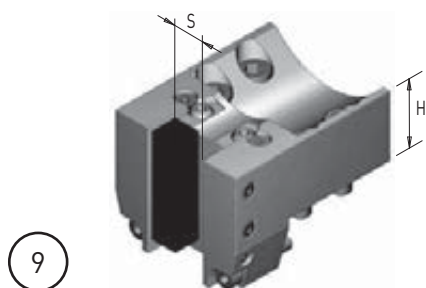
Art. / Code	Art. / Code DMG MORI	S	H	L	Coolant IN	Coolant OUT
8M3D40	T00108	20x20	50	120	X	✓



Art. / Code	Art. / Code DMG MORI	S	H	L	Coolant IN	Coolant OUT
8M3B20	T00134	20x20	68	75	X	✓



Art. / Code	Art. / Code DMG MORI	S	H	L	Coolant IN	Coolant OUT
8M3V40	T00146	20x20	35	115	X	✓

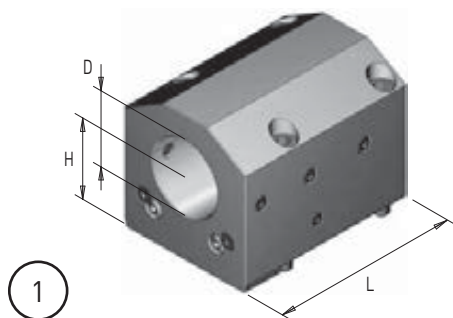
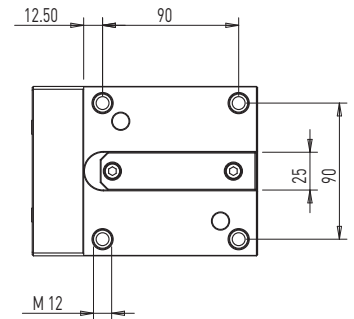
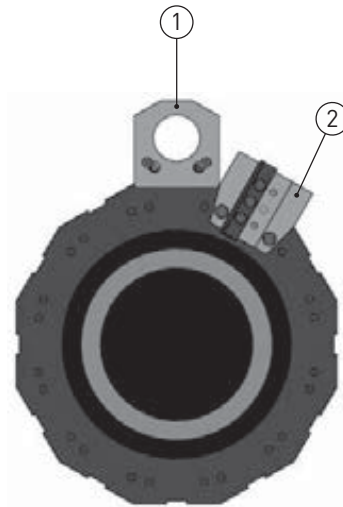
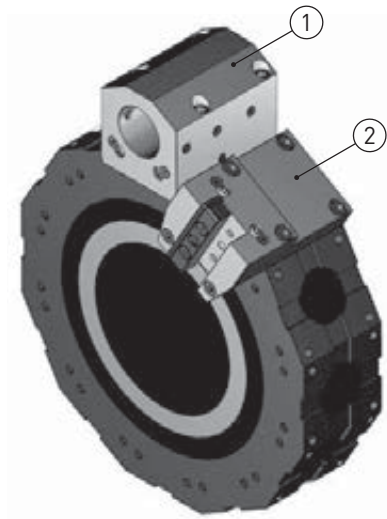


Art. / Code	Art. / Code DMG MORI	S	H	L	Coolant IN	Coolant OUT
8M3T40	T00078	20x20	40	115	X	✓

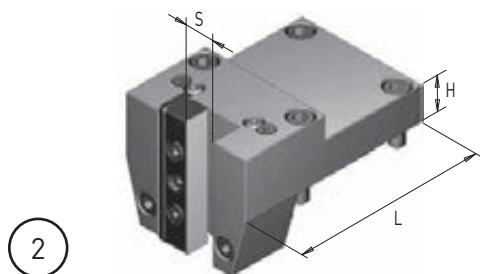
DOOSAN - BMT 75

MODELLI / Models
 PUMA 400/480 (M, LM, XLM)
 PUMA 500 (M)
 PUMA V550 (M)
 PUMA VT750 (TM, 2SP)

MACCHINE COMPATIBILI / Compatibility machines
 Samsung PL 45LM
 Hyundai Wia LV800RM / SKT - V80R / RM
 SKT 400 M / MA / MC / LMC
 Hwacheon HI-TECH 550 / 700 / 7026
 VT-550



Art. / Code	Art. / Code DOOSAN	D	H	L	Coolant IN	Coolant OUT
7D8C60	/	60	60	149	✓	✓
7D8C60 R	/	60	60	149	✓	✓



Art. / Code	Art. / Code DOOSAN	S	H	L	Coolant IN	Coolant OUT
8D8V50	/	25x25	50	165	x	✓

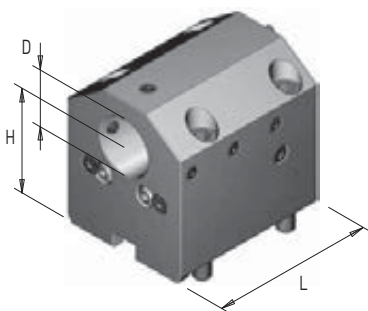
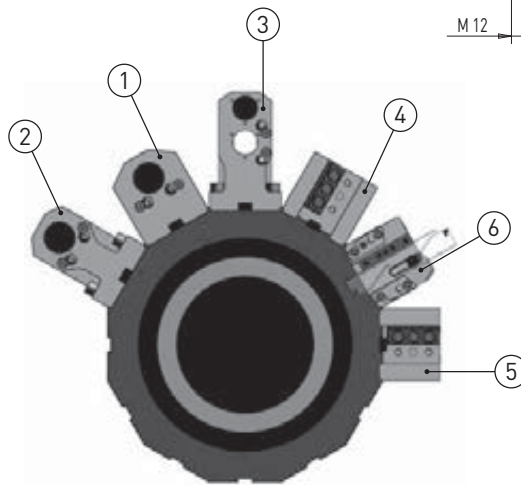
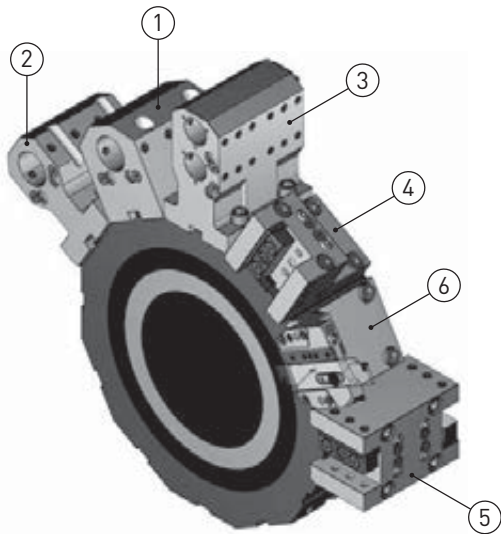
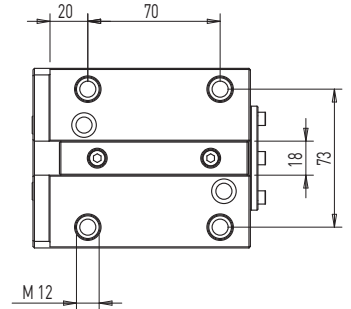
DOOSAN - BMT 65

MODELLI / Models

PUMA 2100 / 2600 (M, LM, MS, LMS) (Y, LY, SY, LSY)
 PUMA 300 (M, MS, MB, MC)
 PUMA 3100 (M, LM, LY, XLM, XLY, ULM, ULY)
 PUMA MX2000 / 2500 / 2600 (T, ST)
 PUMA TT2000 / 2500 (MS, MY, SY)
 PUMA TX200 (M, Y, YY)
 PUMA V400 (M) - VT450 (M, 2SP)

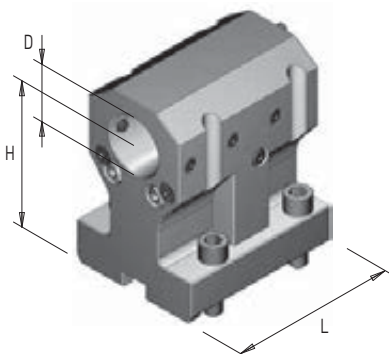
MACCHINE COMPATIBILI / Compatibility machines

Samsung PL 20/25M - PL 35LM - PL2000/2500Y
 Hyundai Wia L300M / MS - L2100 SY
 LM 2000 / 2500 TTM / 2500 TTMS / 2500 TTSY
 SKT200 / 250 / 250 (TTM, MS, SY) / 300 (M, MS)
 Hwacheon CUTEX-240 / HI-TECH 200 / T2-SERIES
 HI-TECH 300/400
 VT-450
 Victor VTURN-A26



1

Art. / Code	Art. / Code DOOSAN	D	H	L	Coolant IN	Coolant OUT
7D7C40	/	40	72	115	✓	✓
7D7C40 R	/	40	72	115	✓	✓



2

Art. / Code	Art. / Code DOOSAN	D	H	L	Coolant IN	Coolant OUT
7D7C40 H100	/	40	100	115	✓	✓
7D7C40 R H100	/	40	100	115	✓	✓

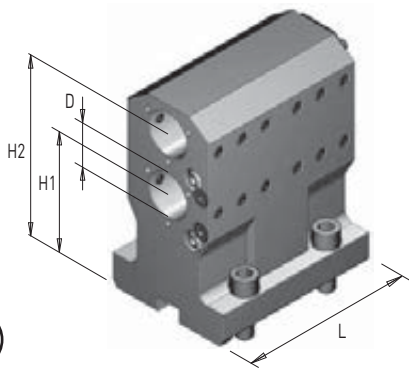
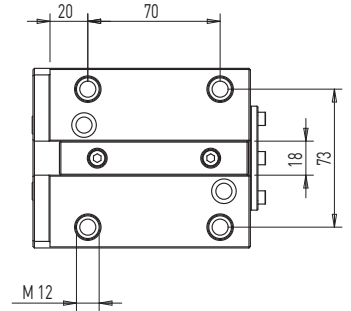
DOOSAN - BMT 65

MODELLI / Models

PUMA 2100 / 2600 (M, LM, MS, LMS) (Y, LY, SY, LSY)
 PUMA 300 (M, MS, MB, MC)
 PUMA 3100 (M, LM, LY, XLM, XLY, ULM, ULY)
 PUMA MX2000 / 2500 / 2600 (T, ST)
 PUMA TT2000 / 2500 (MS, MY, SY)
 PUMA TX200 (M, Y, YY)
 PUMA V400 (M) - VT450 (M, 2SP)

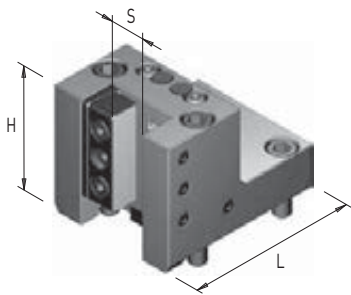
MACCHINE COMPATIBILI / Compatibility machines

Samsung PL 20/25M - PL 35LM - PL2000/2500Y
 Hyundai Wia L300M / MS - L2100 SY
 LM 2000 / 2500 TTM / 2500 TTMS / 2500 TTSY
 SKT200 / 250 / 250 (TTM, MS, SY) / 300 (M, MS)
 Hwacheon CUTEX-240 / HI-TECH 200 / T2-SERIES
 HI-TECH 300/400
 VT-450
 Victor VTURN-A26



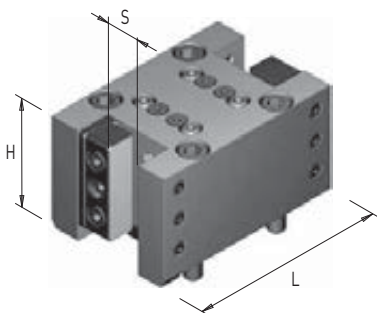
3

Art. / Code	Art. / Code DOOSAN	D	H1	H2	L	Coolant IN	Coolant OUT
7D7D32	/	32	85	130	125	✓	✓
7D7D32 R	/	32	85	130	125	✓	✓



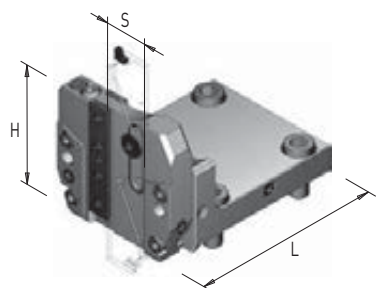
4

Art. / Code	Art. / Code DOOSAN	S	H	L	Coolant IN	Coolant OUT
8D7V50	/	25x25	85	120	x	✓



5

Art. / Code	Art. / Code DOOSAN	S	H	L	Coolant IN	Coolant OUT
8D7D50	/	25x25	65	148	x	✓



6

Art. / Code	Art. / Code DOOSAN	S	H	L	Coolant IN	Coolant OUT
8D7B32	/	ISCAR32	78	129	✓	✓

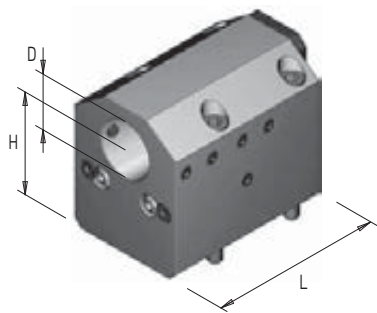
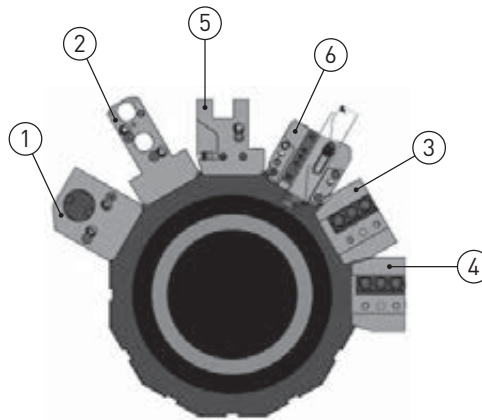
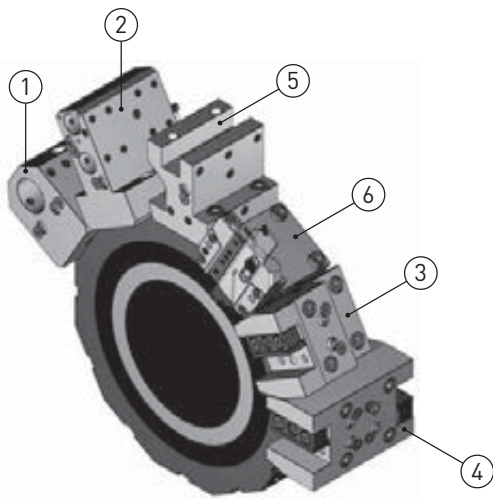
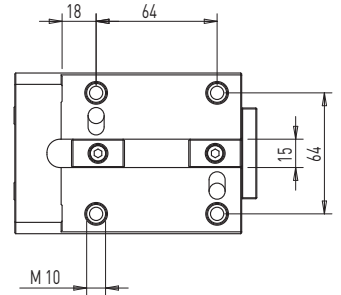
DOOSAN - BMT 55

MODELLI / Models

LYNX 300 (M)
 PUMA 230 / 240 / 280 (M, LM, S)
 PUMA 1500 / 2000 / 2500 (M, S, Y)
 PUMA 2100 (Y, LY, SY, LSY)
 PUMA GT 2100M
 PUMA H 250TM
 PUMA MX 2100 (ST, LST)
 PUMA TL 2000 / 2500 (M, LM)
 PUMA TT 1500 / 1800 (MS, SY)

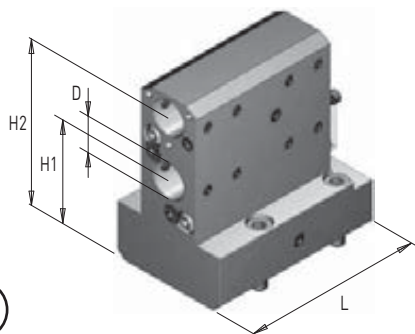
MACCHINE COMPATIBILI / Compatibility machines

Samsung PL 240LM
 Hardinge T-51 / 65 super precision - H51
 Hyundai Wia L230 LMSA
 SKT-160 / 180 TTMS / TTSY
 LM 1600 / 1800 TTSY
 Hwacheon CUTEX-160 / 240 / T2



1

Art. / Code	Art. / Code DOOSAN	D	H	L	Coolant IN	Coolant OUT
7D6C40	L61590327D	40	70	120	✓	✓
7D6C40 R	L61590327D	40	70	120	✓	✓



2

Art. / Code	Art. / Code DOOSAN	D	H1	H2	L	Coolant IN	Coolant OUT
7D6D25	L61590357D	25	70	115	126	✓	✓
7D6D25 R	L61590357D	25	70	115	126	✓	✓

DOOSAN - BMT 55

MODELLI / Models

LYNX 300 (M)

PUMA 230 / 240 / 280 (M, LM, S)

PUMA 1500 / 2000 / 2500 (M, S, Y)

PUMA 2100 (Y, LY, SY, LSY)

PUMA GT 2100M

PUMA H 250TM

PUMA MX 2100 (ST, LST)

PUMA TL 2000 / 2500 (M, LM)

PUMA TT 1500 / 1800 (MS, SY)

MACCHINE COMPATIBILI / Compatibility machines

Samsung PL 240LM

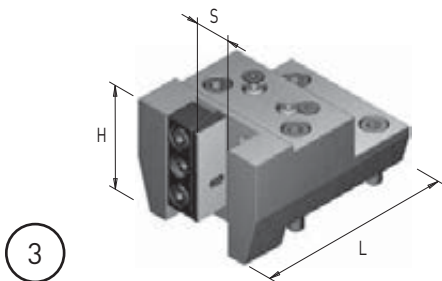
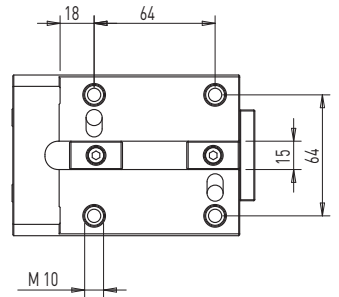
Hardinge T-51 / 65 super precision - H51

Hyundai Wia L230 LMSA

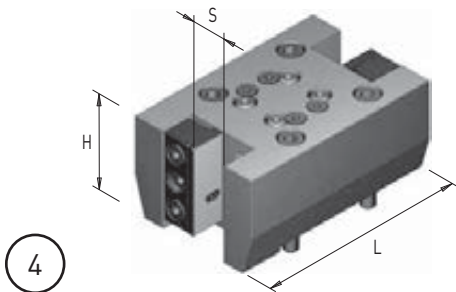
SKT-160 / 180 TTMS / TTSY

LM 1600 / 1800 TTSY

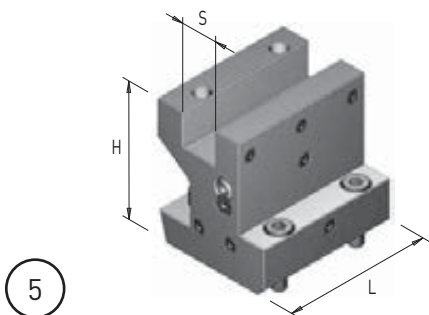
Hwacheon CUTEX-160 / 240 / T2



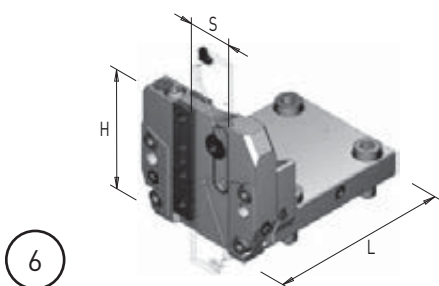
Art. / Code	Art. / Code DOOSAN	S	H	L	Coolant IN	Coolant OUT
8D6V50	L31560517B	25x25	60	126	X	✓



Art. / Code	Art. / Code DOOSAN	S	H	L	Coolant IN	Coolant OUT
8D6D50	L61590347A	25x25	65	148	X	✓



Art. / Code	Art. / Code DOOSAN	S	H	L	Coolant IN	Coolant OUT
8D6C25	L31560537C	25x25	95	105	X	✓

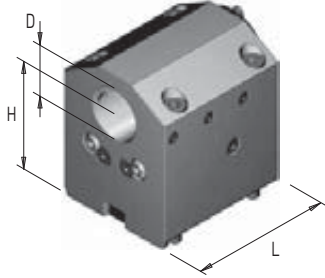
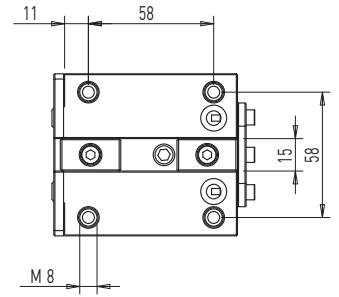
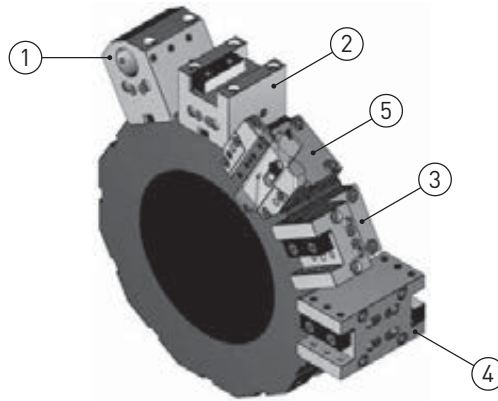


Art. / Code	Art. / Code DOOSAN	S	H	L	Coolant IN	Coolant OUT
8D6B32	/	ISCAR32	78	119	✓	✓

DOOSAN - BMT 45

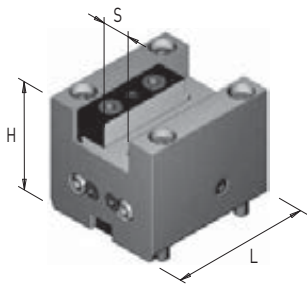
MODELLI / Models
LYNX220 (M, MS, LM)
PUMA MX 1600 (ST)

MACCHINE COMPATIBILI / Compatibility machines
Samsung PL 1600M/MC
Hardinge T-42 super precision



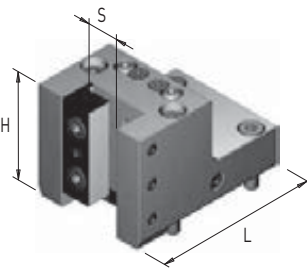
1

Art. / Code	Art. / Code DOOSAN	D	H	L	Coolant IN	Coolant OUT
7D5C32 H65	/	32	65	85	✓	✓
7D5C32 R H65	/	32	65	85	✓	✓



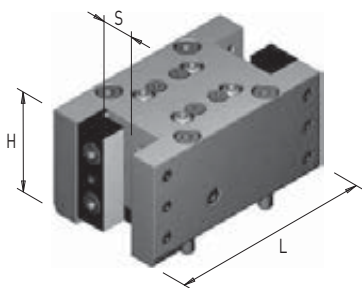
2

Art. / Code	Art. / Code DOOSAN	S	H	L	Coolant IN	Coolant OUT
8D5C40	/	20x20	65	85	✗	✓



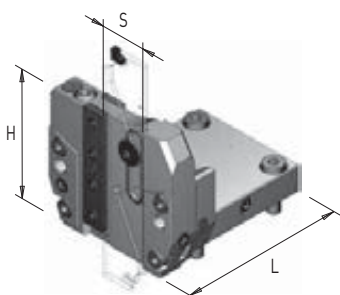
3

Art. / Code	Art. / Code DOOSAN	S	H	L	Coolant IN	Coolant OUT
8D5V40	/	20x20	65	102	✗	✓



4

Art. / Code	Art. / Code DOOSAN	S	H	L	Coolant IN	Coolant OUT
8D5D40	/	20x20	60	124	✗	✓



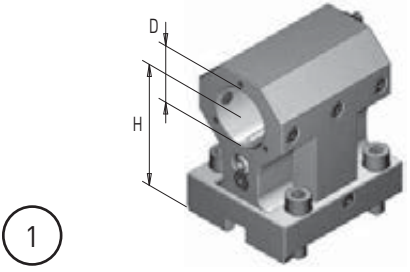
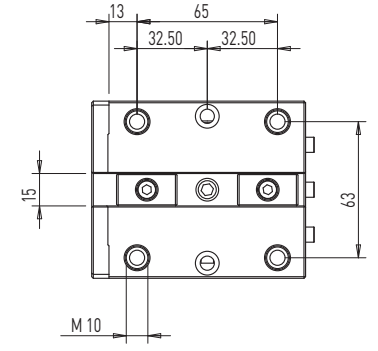
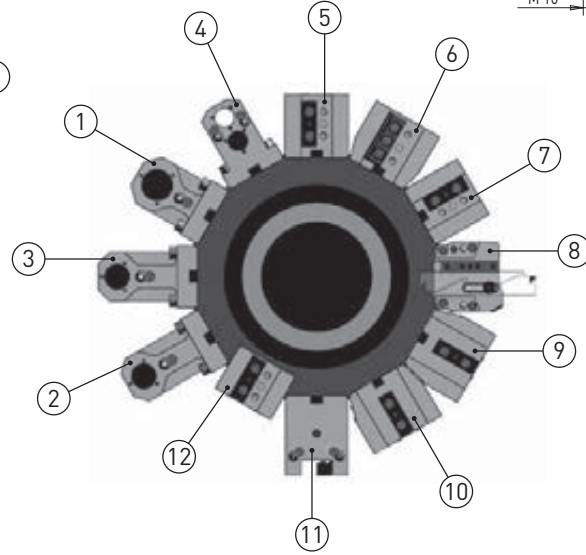
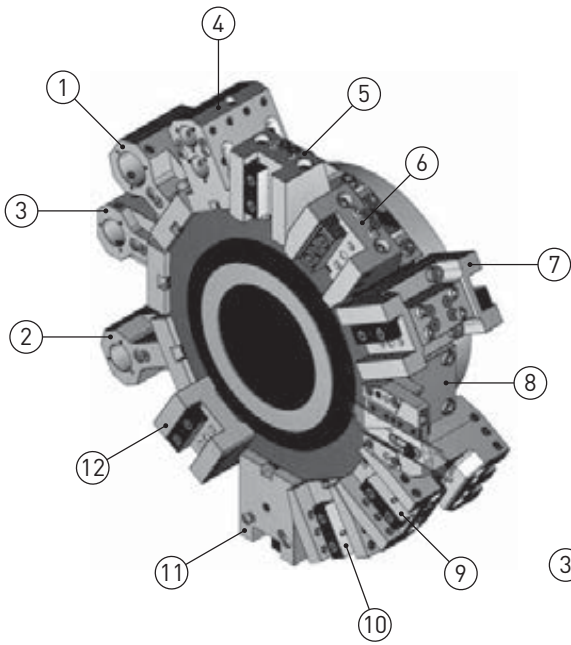
5

Art. / Code	Art. / Code DOOSAN	S	H	L	Coolant IN	Coolant OUT
8D5B32	/	ISCAR32	79	105	✓	✓

MODELLI / Models

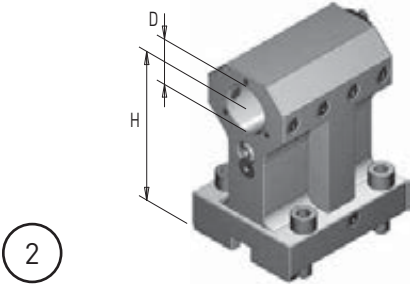
B301 - B445 - B470 - B501 (Y - S) - B510 - B545 - B550 - B565 - B650 - B658

B1200 - B446 - B465 - B754 - B765 - B750 (16 station turret) - B1250 (16 station turret)



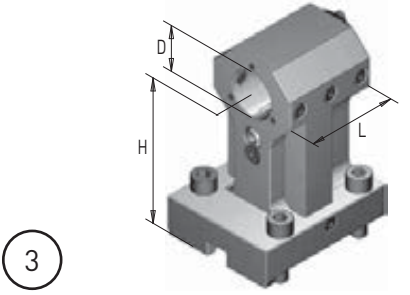
1

Art. / Code	Art. / Code BIGLIA	D	H	Coolant IN	Coolant OUT
7B6C32	10.57.75.00	32	80	✓	✓
7B6C32 R	10.57.75.00	32	80	✓	✓
7B6C40	10.88.15.00	40	80	✓	✓
7B6C40 R	10.88.15.00	40	80	✓	✓



2

Art. / Code	Art. / Code BIGLIA	D	H	Coolant IN	Coolant OUT
7B6C32 H100	10.88.27.00	32	100	✓	✓
7B6C32 R H100	10.88.27.00	32	100	✓	✓



3

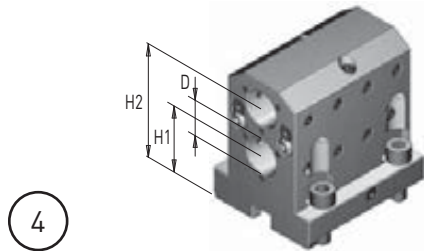
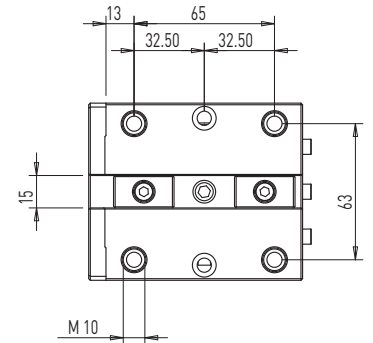
Art. / Code	Art. / Code BIGLIA	D	H	L	Coolant IN	Coolant OUT
7B6A32 H100	10.88.28.00	32	100	66	✓	✓
7B6A32 R H100	10.88.28.00	32	100	66	✓	✓

BIGLIA

MODELLI / Models

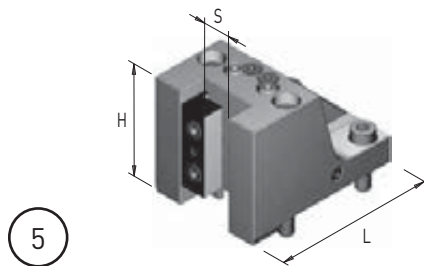
B301 - B445 - B470 - B501 (Y - S) - B510 - B545 - B550 - B565 - B650 - B658

B1200 - B446 - B465 - B754 - B765 - B750 (16 station turret) - B1250 (16 station turret)



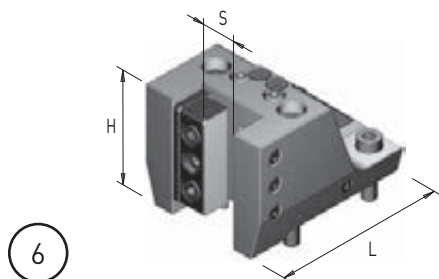
4

Art. / Code	Art. / Code BIGLIA	D	H1	H2	Coolant IN	Coolant OUT
7B6D25	41.03.29.00	25	45	80	✓	✓
7B6D25 R	41.03.29.00	25	45	80	✓	✓



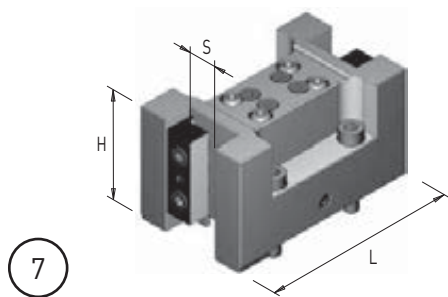
5

Art. / Code	Art. / Code BIGLIA	S	H	L	Coolant IN	Coolant OUT
8B6V40	10.57.60.00	20x20	79	116	X	✓



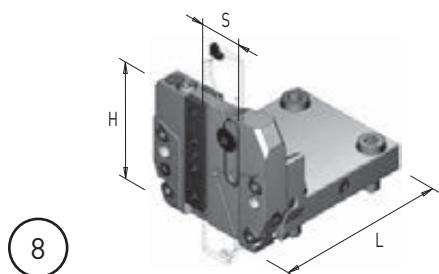
6

Art. / Code	Art. / Code BIGLIA	S	H	L	Coolant IN	Coolant OUT
8B6V50	10.88.16.00	25x25	79	121	X	✓



7

Art. / Code	Art. / Code BIGLIA	S	H	L	Coolant IN	Coolant OUT
8B6D40	10.57.76.00	20x20	76	139	X	✓



8

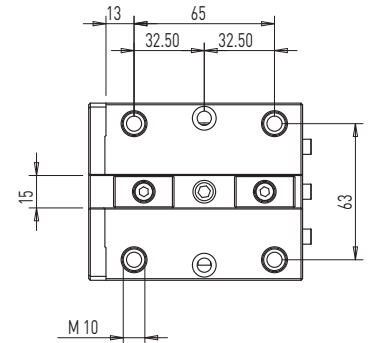
Art. / Code	Art. / Code BIGLIA	S	H	L	Coolant IN	Coolant OUT
8B6B32	/	ISCAR32	79	116	✓	✓

BIGLIA

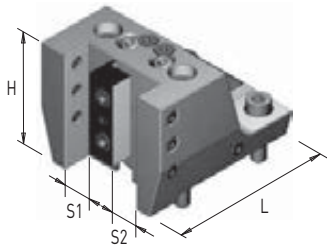
MODELLI / Models

B301 - B445 - B470 - B501 (Y - S) - B510 - B545 - B550 - B565 - B650 - B658

B1200 - B446 - B465 - B754 - B765 - B750 (16 station turret) - B1250 (16 station turret)

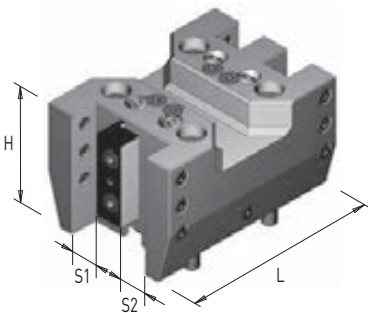


9



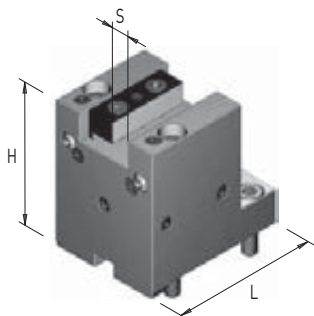
Art. / Code	Art. / Code BIGLIA	S1	S2	H	L	Coolant IN	Coolant OUT
8B6V20 D	41.03.25.00	20x20	20x20	79	116	X	✓

10



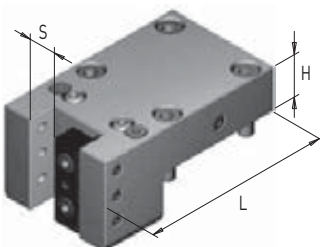
Art. / Code	Art. / Code BIGLIA	S1	S2	H	L	Coolant IN	Coolant OUT
8B6D20 Q	/	20x20	20x20	81	140	X	✓

11



Art. / Code	Art. / Code BIGLIA	S	H	L	Coolant IN	Coolant OUT
8B6C40	41.03.19.00	20x20	100	104	X	✓

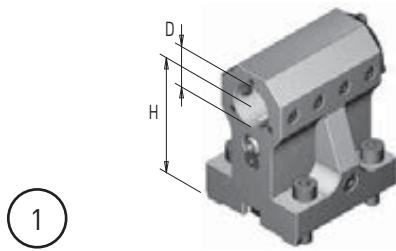
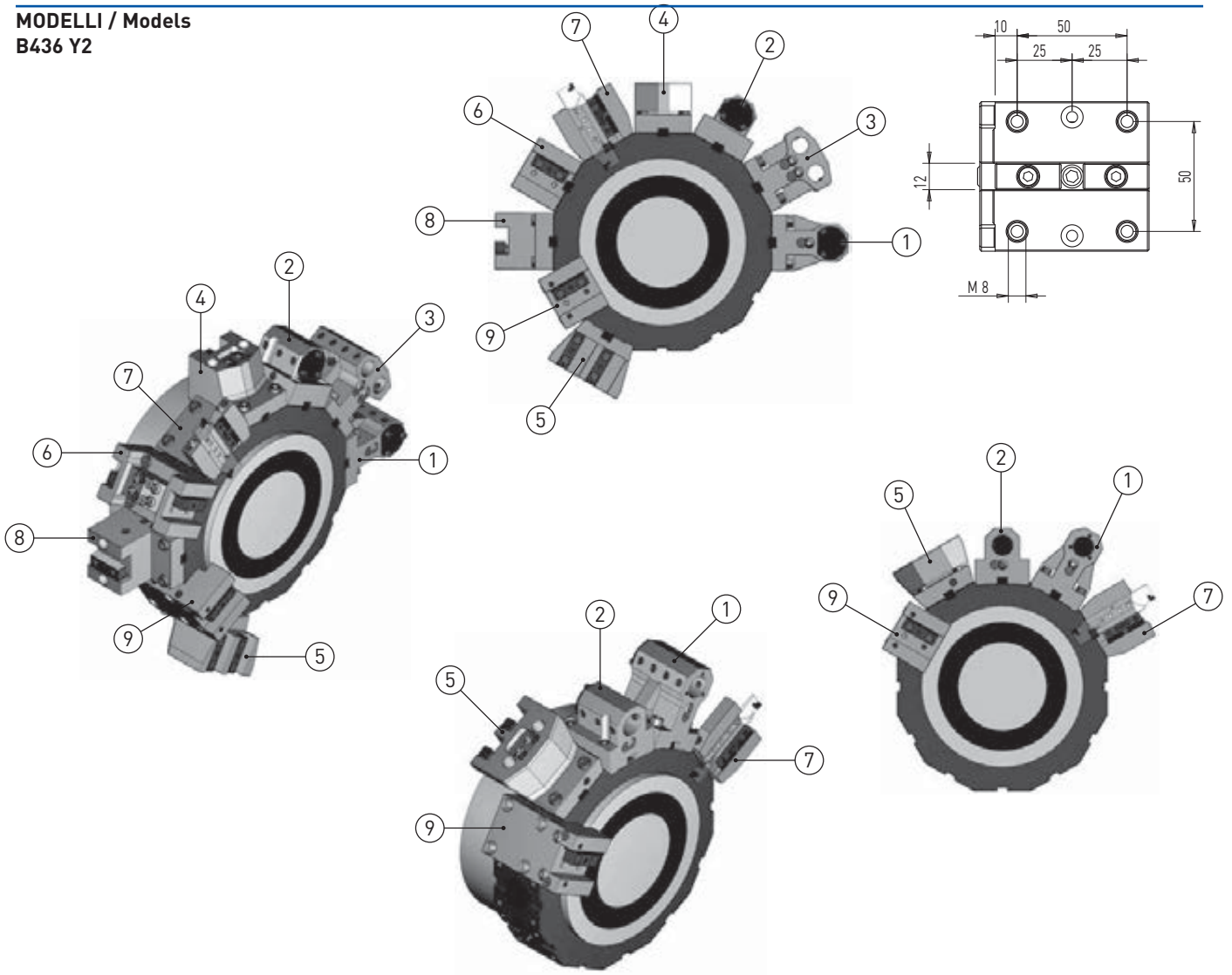
12



Art. / Code	Art. / Code BIGLIA	S	H	L	Coolant IN	Coolant OUT
8B6V40 L	/	20x20	32	40	X	✓

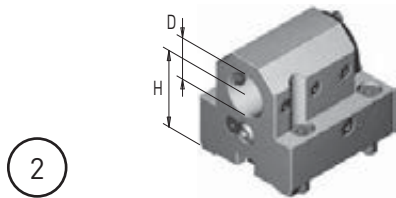
BIGLIA

MODELLI / Models
B436 Y2



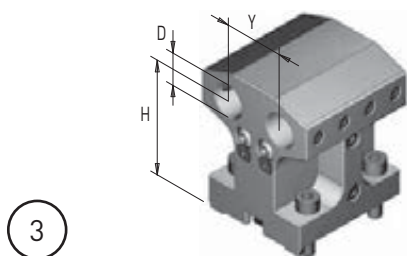
1

Art. / Code	Art. / Code BIGLIA	D	H	Coolant IN	Coolant OUT
7B4C20 H70	0088-00003	20	70	✓	✓
7B4C20 R H70	0088-00003	20	70	✓	✓
7B4C25 H70	D25.0088-00003	25	70	✓	✓
7B4C25 R H70	D25.0088-00003	25	70	✓	✓



2

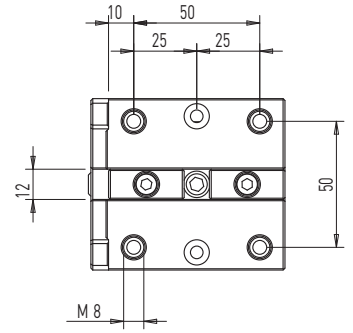
Art. / Code	Art. / Code BIGLIA	D	H	Coolant IN	Coolant OUT
7B4C20 H45	0088-00019	20	45	✓	✓
7B4C20 R H45	0088-00019	20	45	✓	✓
7B4C25 H45	D25.0088-00019	25	45	✓	✓
7B4C25 R H45	D25.0088-00019	25	45	✓	✓



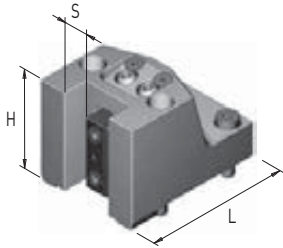
3

Art. / Code	Art. / Code BIGLIA	D	H	Y	Coolant IN	Coolant OUT
7B4D20 Y38	0088-00010	20	70	38	X	✓

MODELLI / Models B436 Y2

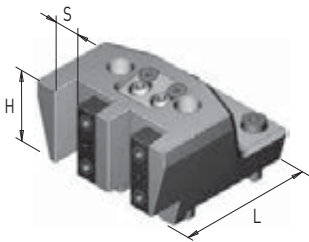


4



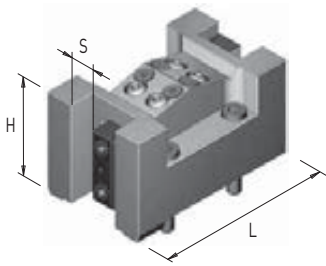
Art. / Code	Art. / Code BIGLIA	S	H	L	Coolant IN	Coolant OUT
8B4V32	0088-00004	16x16	60	90	X	✓

5



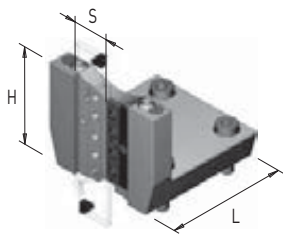
Art. / Code	Art. / Code BIGLIA	S	H	L	Coolant IN	Coolant OUT
8B4V16 D	0088-00011	16x16	60	100	X	✓

6



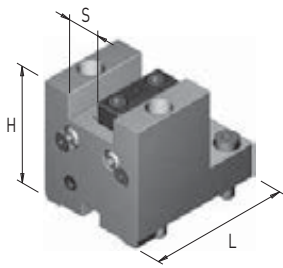
Art. / Code	Art. / Code BIGLIA	S	H	L	Coolant IN	Coolant OUT
8B4D32	088-00005	16x16	60	110	X	✓

7



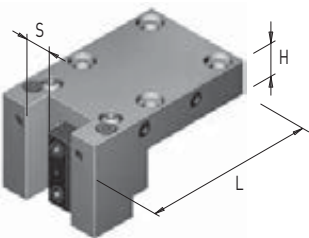
Art. / Code	Art. / Code BIGLIA	S	H	L	Coolant IN	Coolant OUT
8B4B26 B	/	ISCAR26	66	82	X	✓

8



Art. / Code	Art. / Code BIGLIA	S	H	L	Coolant IN	Coolant OUT
8B4C32	0088-00014	16x16	70	85	X	✓

9

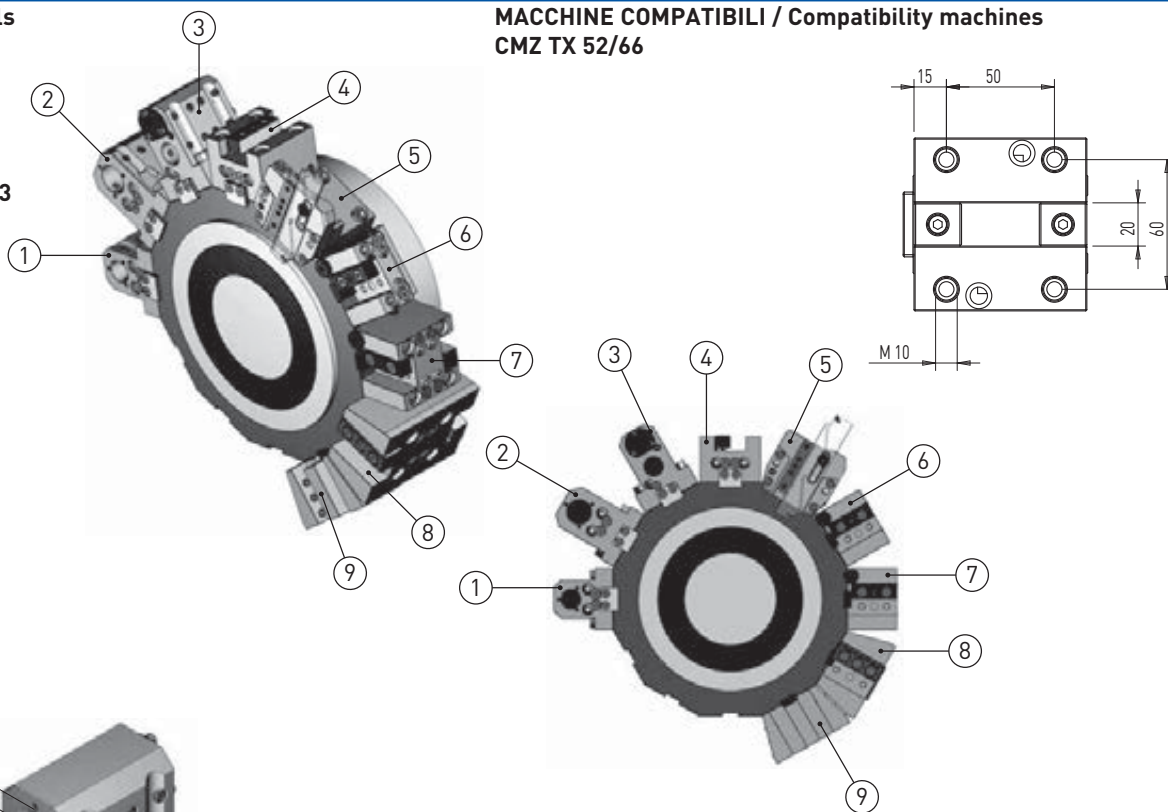


Art. / Code	Art. / Code BIGLIA	S	H	L	Coolant IN	Coolant OUT
8B4V32 L	088-00006	16x16	22	110	X	✓

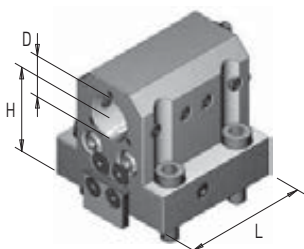
NAKAMURA - WT 150

MODELLI / Models
 WT 150/250
 WTW 150
 WTS 150
 WT 20II (M, MY)
 TW 10
 SUPER NTJ/NTM3
 SC 150/250

MACCHINE COMPATIBILI / Compatibility machines
 CMZ TX 52/66

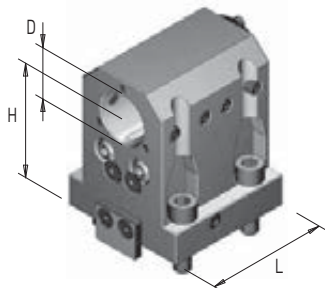


1



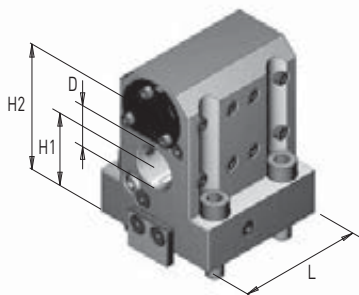
Art. / Code	Art. / Code NAKAMURA	D	H	L	Coolant IN	Coolant OUT
7N4C25 H55	/	25	55	80	✓	✓
7N4C25 R H55	/	25	55	80	✓	✓

2



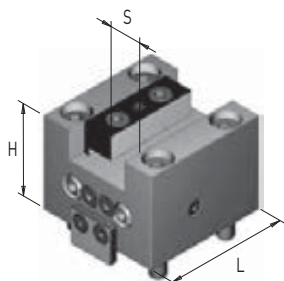
Art. / Code	Art. / Code NAKAMURA	D	H	L	Coolant IN	Coolant OUT
7N4C32 H75	/	32	75	80	✓	✓
7N4C32 R H75	/	32	75	80	✓	✓
7N4C40 H75	/	40	75	80	✓	✓
7N4C40 R H75	/	40	75	80	✓	✓

3



Art. / Code	Art. / Code NAKAMURA	D	H1	H2	L	Coolant IN	Coolant OUT
7N4D25	/	25	47.5	82.5	80	✓	✓
7N4D25 R	/	25	47.5	82.5	80	✓	✓

4

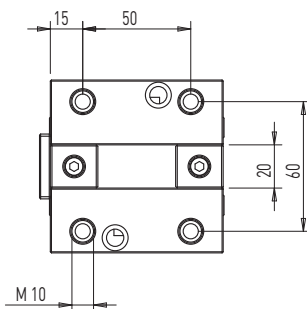


Art. / Code	Art. / Code NAKAMURA	S	H	L	Coolant IN	Coolant OUT
8N4C40	/	20x20	60	80	x	✓

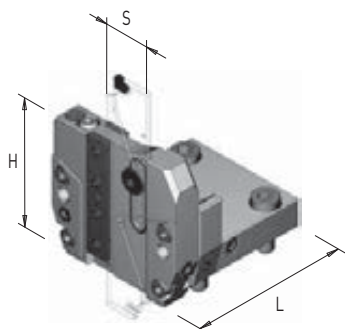
NAKAMURA - WT 150

MODELLI / Models
 WT 150/250
 WTW 150
 WTS 150
 WT 20II (M, MY)
 TW 10
 SUPER NTJ/NTM3
 SC 150/250

MACCHINE COMPATIBILI / Compatibility machines
 CMZ TX 52/66

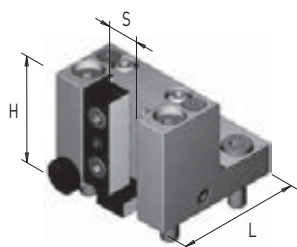


5



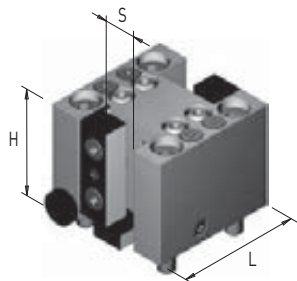
Art. / Code	Art. / Code NAKAMURA	S	H	L	Coolant IN	Coolant OUT
8N4B32	/	ISCAR32	78	99	✓	✓

6



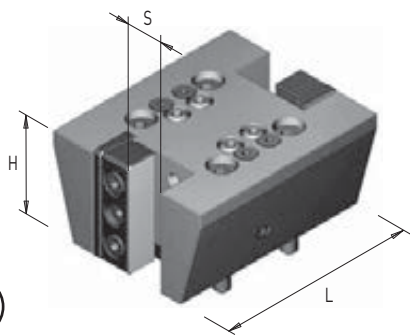
Art. / Code	Art. / Code NAKAMURA	S	H	L	Coolant IN	Coolant OUT
8N4V40	/	20x20	65	80	✗	✓

7



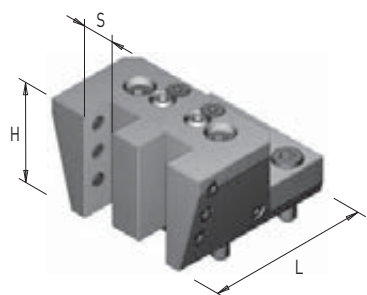
Art. / Code	Art. / Code NAKAMURA	S	H	L	Coolant IN	Coolant OUT
8N4D40	/	20x20	65	80	✗	✓

8



Art. / Code	Art. / Code NAKAMURA	S	H	L	Coolant IN	Coolant OUT
8N4D50	/	25x25	65	132	✗	✓

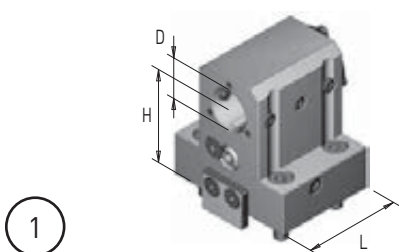
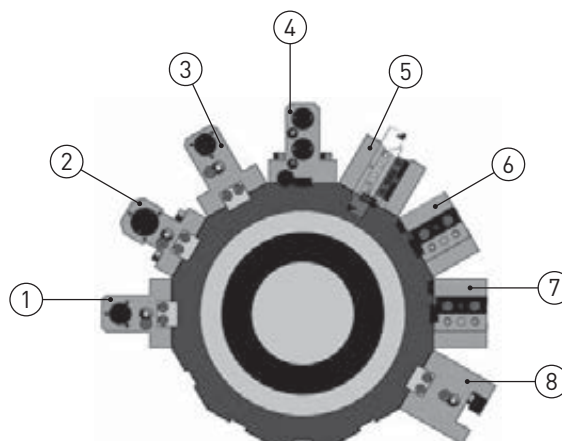
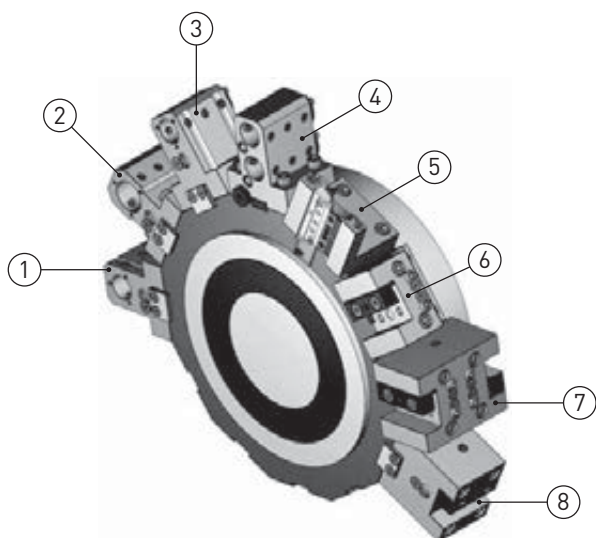
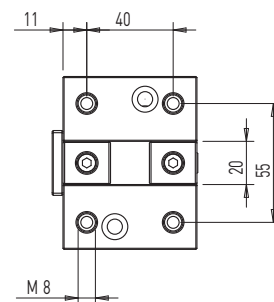
9



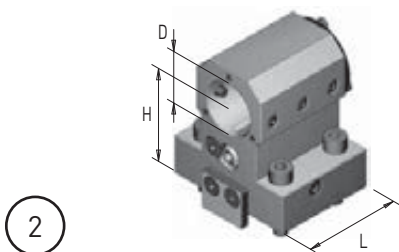
Art. / Code	Art. / Code NAKAMURA	S	H	L	Coolant IN	Coolant OUT
8N4V20 D	/	20x20	65	106	✗	✓

NAKAMURA - WT 100

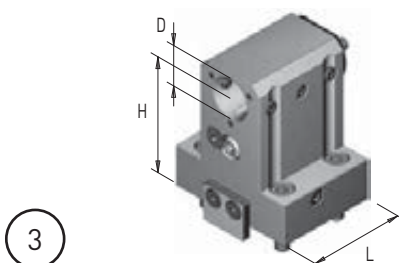
MODELLI / Models
WT 100 - WY 100
NTY 3 - NTJ 100



Art. / Code	Art. / Code NAKAMURA	D	H	L	Coolant IN	Coolant OUT
7N3C25 H60	/	25	60	62	✓	✓
7N3C25 R H60	/	25	60	62	✓	✓



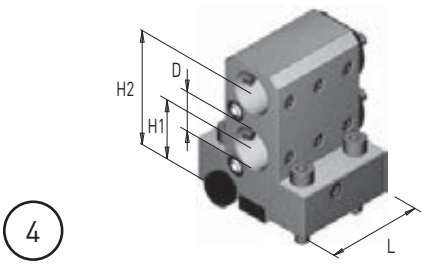
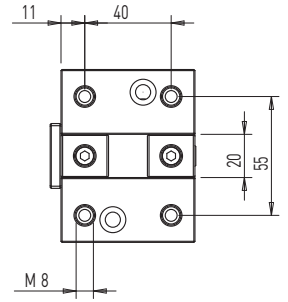
Art. / Code	Art. / Code NAKAMURA	D	H	L	Coolant IN	Coolant OUT
7N3C32 H60	/	32	60	62	✓	✓
7N3C32 R H60	/	32	60	62	✓	✓



Art. / Code	Art. / Code NAKAMURA	D	H	L	Coolant IN	Coolant OUT
7N3C25 H75	/	25	75	62	✓	✓
7N3C25 R H75	/	25	75	62	✓	✓

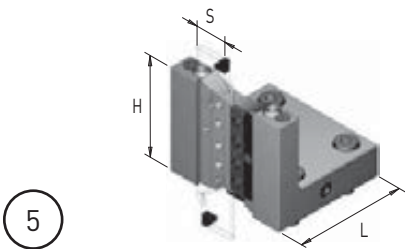
NAKAMURA - WT 100

MODELLI / Models
WT 100 - WY 100
NTY 3 - NTJ 100



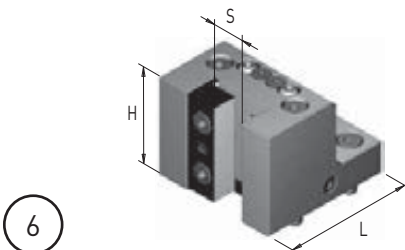
4

Art. / Code	Art. / Code NAKAMURA	D	H1	H2	L	Coolant IN	Coolant OUT
7N3D25	/	25	39	75	62	✓	✓



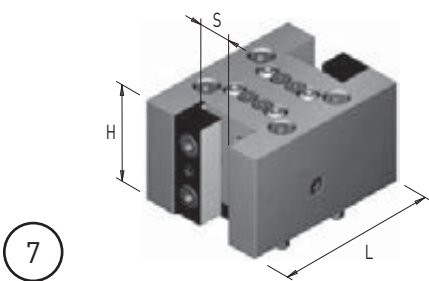
5

Art. / Code	Art. / Code NAKAMURA	S	H	L	Coolant IN	Coolant OUT
8N3B26 B	/	ISCAR26	66	73	X	✓



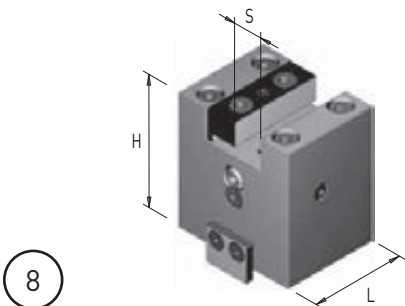
6

Art. / Code	Art. / Code NAKAMURA	S	H	L	Coolant IN	Coolant OUT
8N3V40	/	20x20	62	83	X	✓



7

Art. / Code	Art. / Code NAKAMURA	S	H	L	Coolant IN	Coolant OUT
8N3D40	/	20x20	62	104	X	✓



8

Art. / Code	Art. / Code NAKAMURA	S	H	L	Coolant IN	Coolant OUT
8N3C40	/	20x20	85	62	X	✓

MODELLI / Models

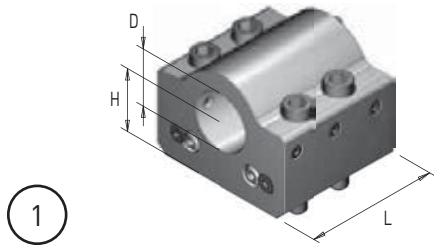
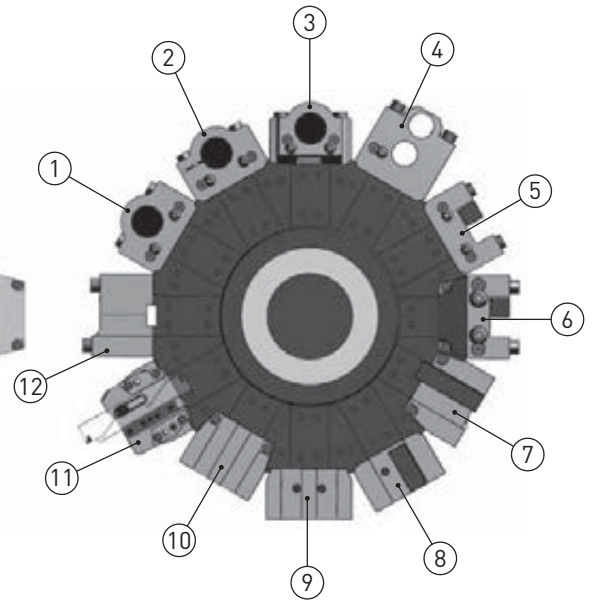
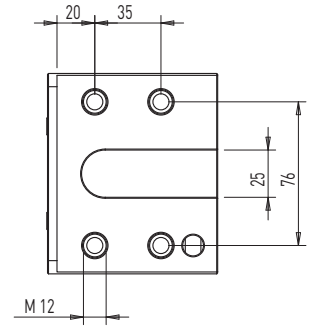
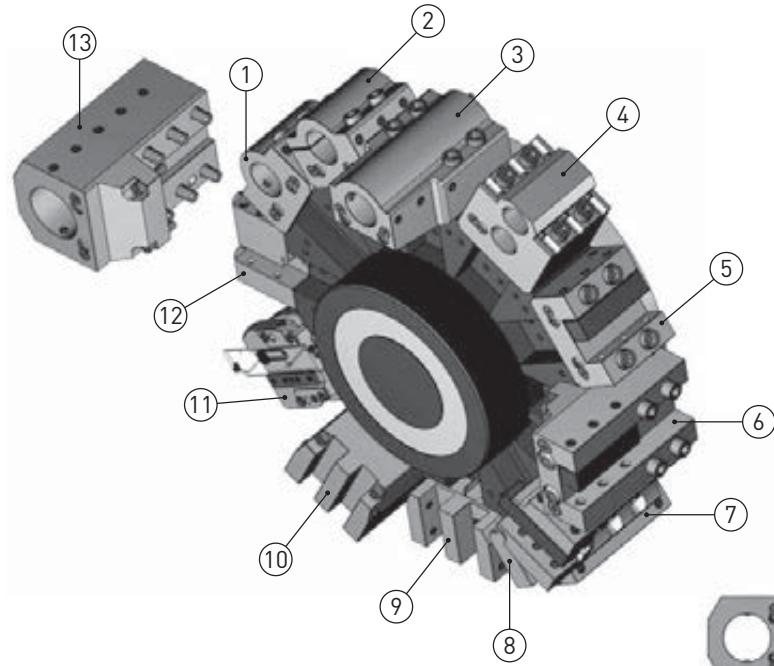
TBI 520

TL 20/25

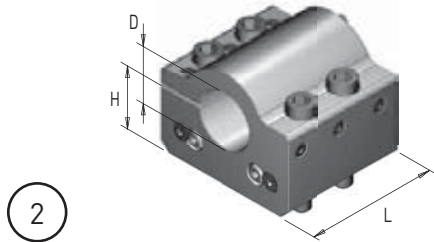
TC 15/20/25/30/35

TA 15M/Y/MS/MY/YS - TA 20M/Y/MS/MY/YS

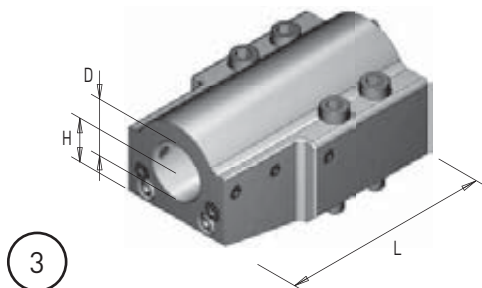
TA 25M/Y/MS/MY/YS - TA 30M/Y/MS/MY/YS



Art. / Code	Art. / Code CMZ	D	H	L	Coolant IN	Coolant OUT
7C6C40	TL20/10000/09	40	40	90	✓	✓
7C6C40 R	TL20/10000/12	40	40	90	✓	✓
7C6C50	TL20/10000/40	50	40	90	✓	✓
7C6C50 R	TL20/10000/40	50	40	90	✓	✓



Art. / Code	Art. / Code CMZ	D	H	L	Coolant IN	Coolant OUT
7C6C40 B	/	40	40	90	x	✓



Art. / Code	Art. / Code CMZ	D	H	L	Coolant IN	Coolant OUT
7C6L40	TL20/10000/10	40	40	160	✓	✓
7C6L40 R	TL20/10000/10	40	40	160	✓	✓
7C6L50	TL20/10000/39	50	40	160	✓	✓
7C6L50 R	TL20/10000/39	50	40	160	✓	✓

MODELLI / Models

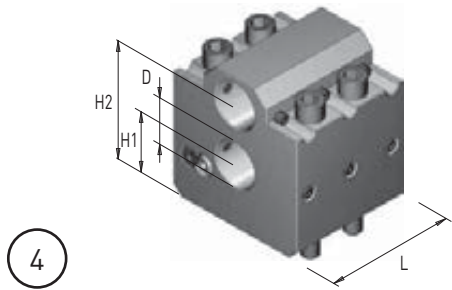
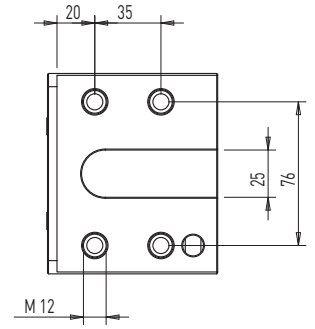
TBI 520

TL 20/25

TC 15/20/25/30/35

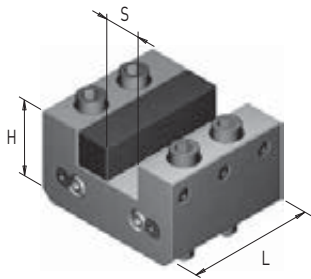
TA 15M/Y/MS/MY/YS - TA 20M/Y/MS/MY/YS

TA 25M/Y/MS/MY/YS - TA 30M/Y/MS/MY/YS



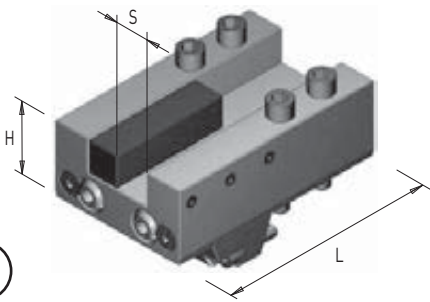
4

Art. / Code	Art. / Code CMZ	D	H1	H2	L	Coolant IN	Coolant OUT
7C6D32	TL20/10000/11	32	40	82	88	X	✓



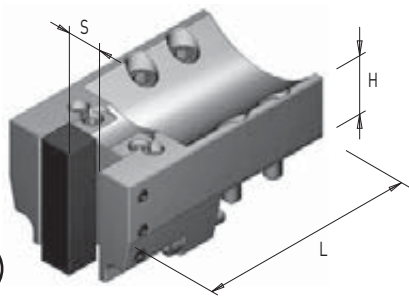
5

Art. / Code	Art. / Code CMZ	S	H	L	Coolant IN	Coolant OUT
8C6C50	TL20/10000/08	25x25	50	90	X	✓
8C6L50	/	25x25	60	160	X	✓



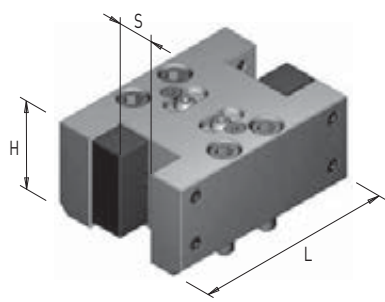
6

Art. / Code	Art. / Code CMZ	S	H	L	Coolant IN	Coolant OUT
8C8L50	TC35/10000/57	25x25	55	165	X	✓



7

Art. / Code	Art. / Code CMZ	S	H	L	Coolant IN	Coolant OUT
8C6V50	TL20/10000/06	25x25	44	130	X	✓
8C6V50 L	TL20/10000/45	25x25	44	165	X	✓



8

Art. / Code	Art. / Code CMZ	S	H	L	Coolant IN	Coolant OUT
8C6D50	TL20/10000/07	25x25	60	139	X	✓

MODELLI / Models

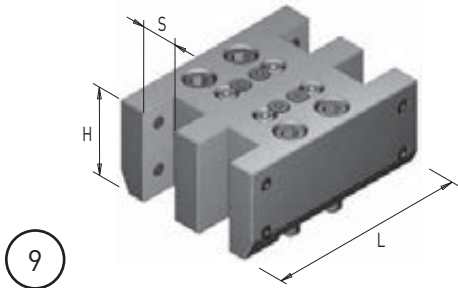
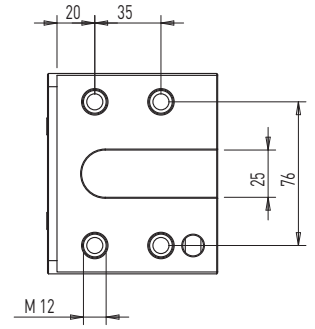
TBI 520

TL 20/25

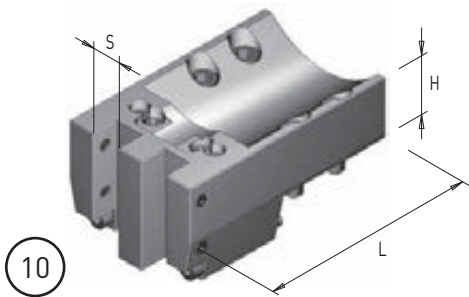
TC 15/20/25/30/35

TA 15M/Y/MS/MY/YS - TA 20M/Y/MS/MY/YS

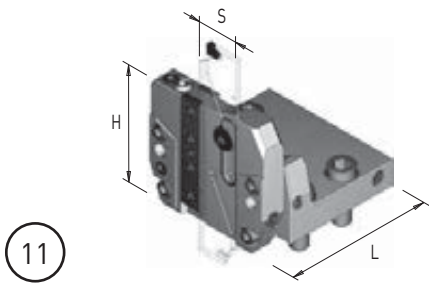
TA 25M/Y/MS/MY/YS - TA 30M/Y/MS/MY/YS



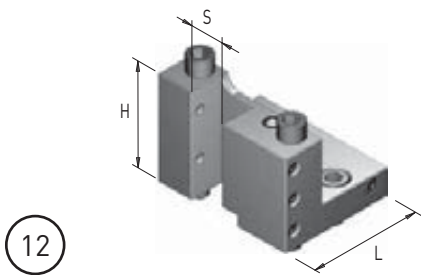
Art. / Code	Art. / Code CMZ	S	H	L	Coolant IN	Coolant OUT
8C6D20 Q	/	20x20	60	139	X	✓
8C6D25 Q	/	25x25	60	139	X	✓



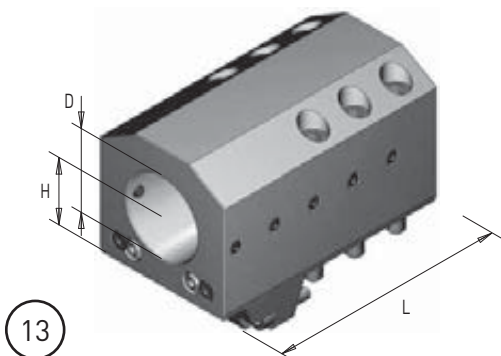
Art. / Code	Art. / Code CMZ	S	H	L	Coolant IN	Coolant OUT
8C6V20 D	/	20x20	44	165	X	✓



Art. / Code	Art. / Code CMZ	S	H	L	Coolant IN	Coolant OUT
8C6B32	TL20/10000/44	ISCAR32	80	103	✓	✓



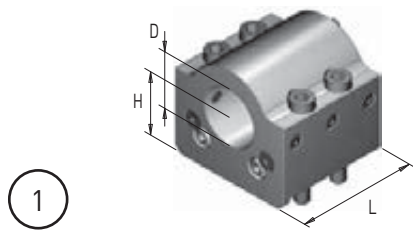
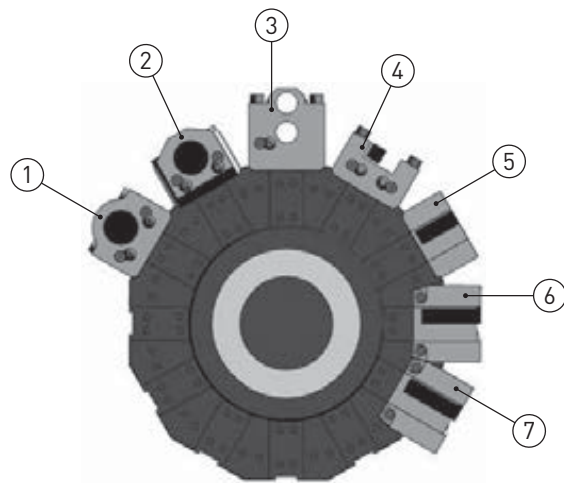
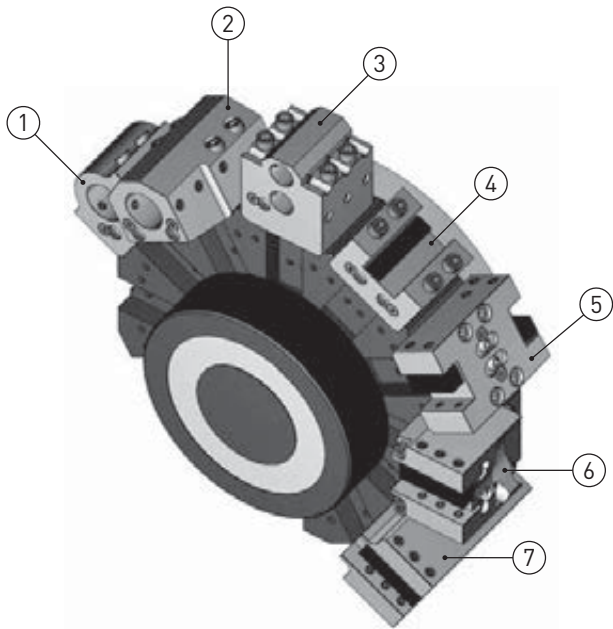
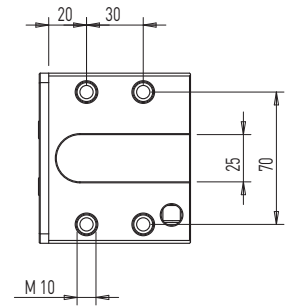
Art. / Code	Art. / Code CMZ	S	H	L	Coolant IN	Coolant OUT
8C6B25	TL20/10000/13	25x25	78	85	X	✓



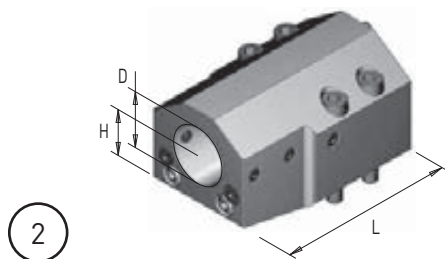
Art. / Code	Art. / Code CMZ	D	H	L	Coolant IN	Coolant OUT
7C8L60	TC35/10000/54	60	50	180	✓	✓

MODELLI / Models
 TL 15T/M/TM/S/MS
 TB46/67 M/CM

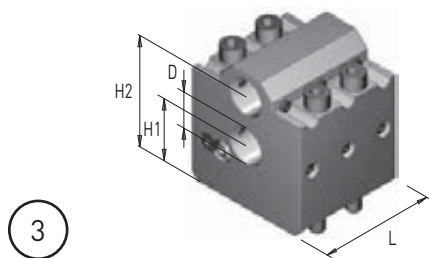
MACCHINE COMPATIBILI / Compatibility machines
 Miyano ABX 51/64 THY / SY



Art. / Code	Art. / Code CMZ	D	H	L	Coolant IN	Coolant OUT
7C3C40	TL15/10000/09	40	40	80	✓	✓
7C3C40 R	TL15/10000/12	40	40	80	✓	✓



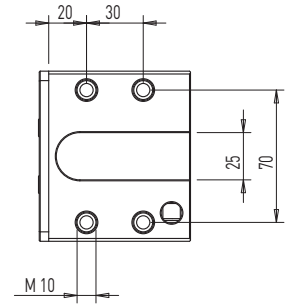
Art. / Code	Art. / Code CMZ	D	H	L	Coolant IN	Coolant OUT
7C3L40	TL15/10000/38	40	40	135	✓	✓
7C3L40 R	TL15/10000/38	40	40	135	✓	✓



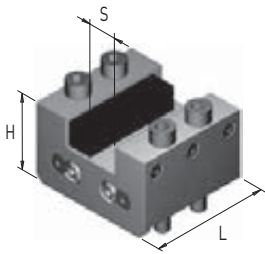
Art. / Code	Art. / Code CMZ	D	H1	H2	L	Coolant IN	Coolant OUT
7C3D25	TL15/10000/11	25	40	75	79	x	✓

MODELLI / Models
 TL 15T/M/TM/S/MS
 TB46/67 M/CM

MACCHINE COMPATIBILI / Compatibility machines
 Miyano ABX 51/64 THY / SY

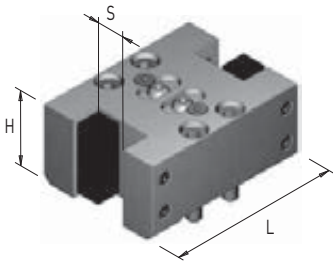


4



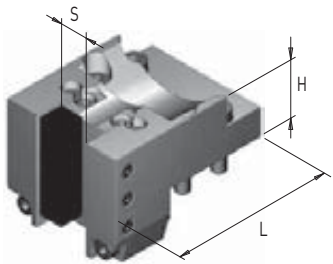
Art. / Code	Art. / Code CMZ	S	H	L	Coolant IN	Coolant OUT
8C3C40	TL15/10000/08	20x20	50	80	X	✓

5



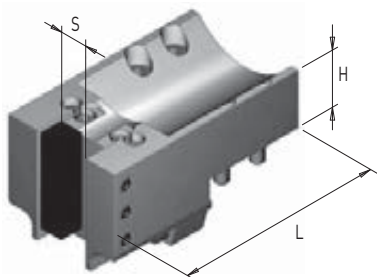
Art. / Code	Art. / Code CMZ	S	H	L	Coolant IN	Coolant OUT
8C3D40	TL15/10000/07	20x20	50	120	X	✓

6



Art. / Code	Art. / Code CMZ	S	H	L	Coolant IN	Coolant OUT
8C3T40	TL15/10000/06	20x20	44	120	X	✓

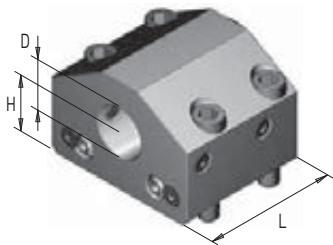
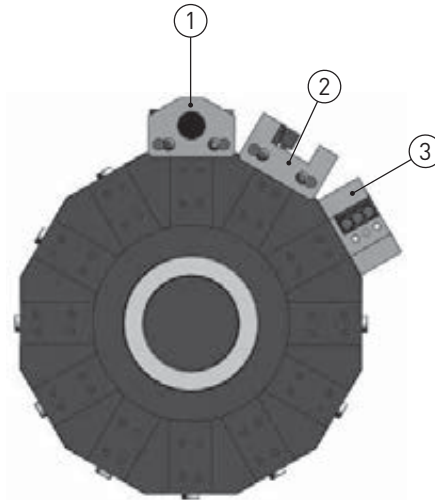
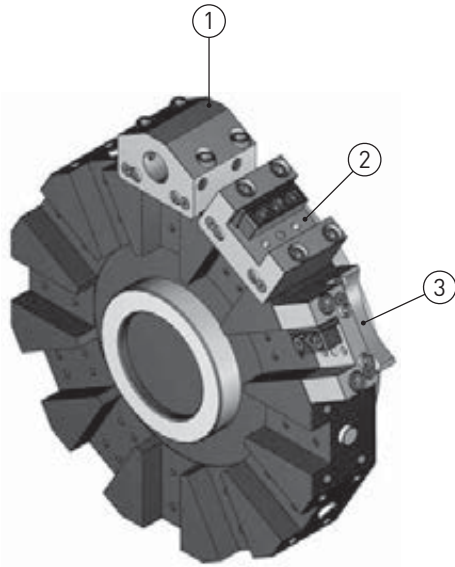
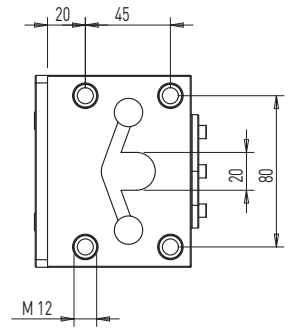
7



Art. / Code	Art. / Code CMZ	S	H	L	Coolant IN	Coolant OUT
8C3V40	TL15/10000/45	20x20	44	155	X	✓

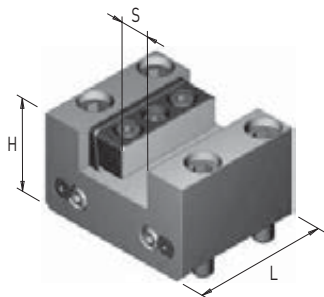
MODELLI / Models
SL20 / SL30
ST20 / ST25 / ST30

MACCHINE COMPATIBILI / Compatibility machines
Okuma LB15/25/300



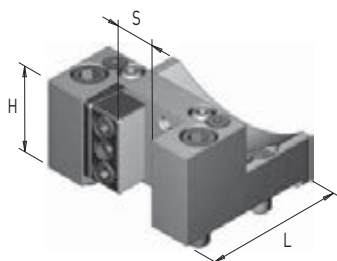
1

Art. / Code	Art. / Code HAAS	D	H	L	Coolant IN	Coolant OUT
7H6C32	BOT20MID	32	31.75	101.5	✓	✓
7H6C32 R	BOT20MID	32	31.75	101.5	✓	✓
7H6C40	BOT20MID	40	31.75	101.5	✓	✓
7H6C40 R	BOT20MID	40	31.75	101.5	✓	✓



2

Art. / Code	Art. / Code HAAS	S	H	L	Coolant IN	Coolant OUT
8H6C50	BOT20MFG	25x25	56	101.5	✗	✓

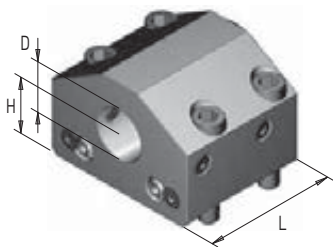
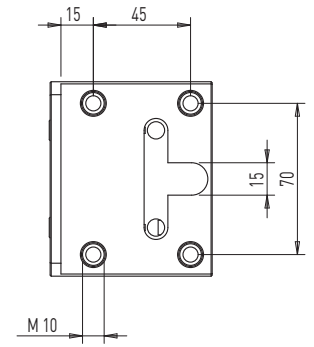
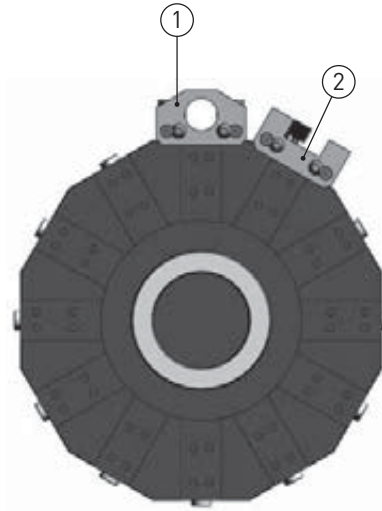
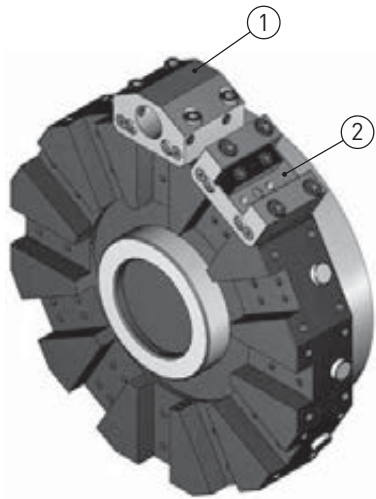


3

Art. / Code	Art. / Code HAAS	S	H	L	Coolant IN	Coolant OUT
8H6V50	BOT20MOD	25x25	55	91.5	✗	✓

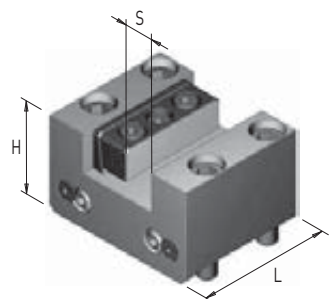
MODELLI / Models
SL10
ST10 / ST15

MACCHINE COMPATIBILI / Compatibility machines
Okuma LLC 152 S



1

Art. / Code	Art. / Code HAAS	D	H	L	Coolant IN	Coolant OUT
7H3C32	BOT10MID-32	32	25.40	75	✓	✓
7H3C32 R	BOT10MID-32	32	25.40	75	✓	✓



2

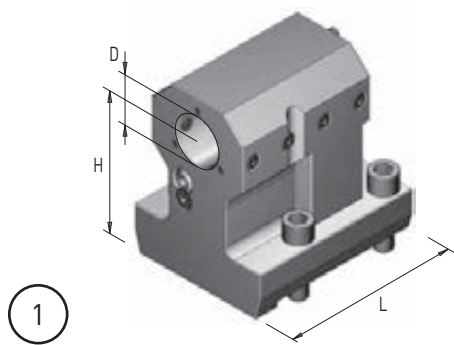
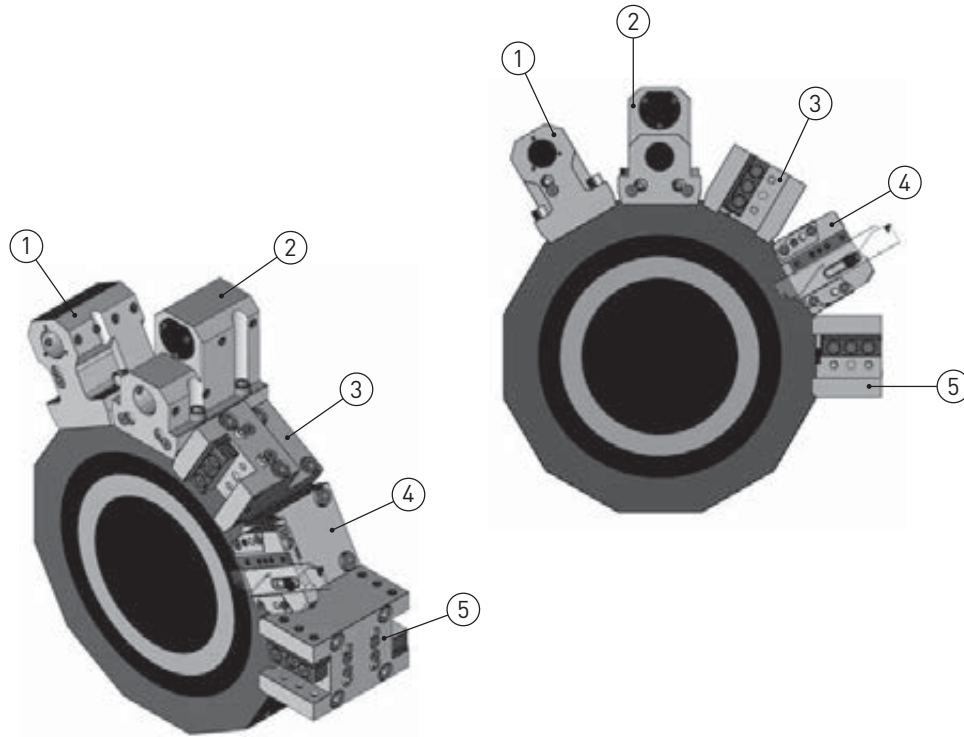
Art. / Code	Art. / Code HAAS	S	H	L	Coolant IN	Coolant OUT
8H3C40	BOT10MFG	20x20	40	75	x	✓

MODELLI / Models

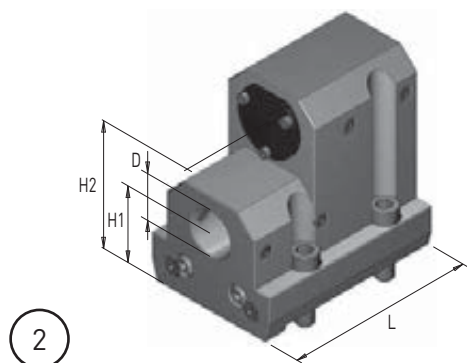
LB2000 EX / LB2500 EX / LB3000 EX (M-MW-MY-MYW)

LU2000 EX / LU2500 EX / LU3000 EX (M-MW-MY)

GENOS L300 (MY-MW-MYW)



Art. / Code	Art. / Code OKUMA	D	H	L	Coolant IN	Coolant OUT
7K6C32 H90	/	32	90	116	✓	✓
7K6C32 R H90	/	32	90	116	✓	✓
7K6C40 H90	/	40	90	116	✓	✓
7K6C40 R H90	/	40	90	116	✓	✓



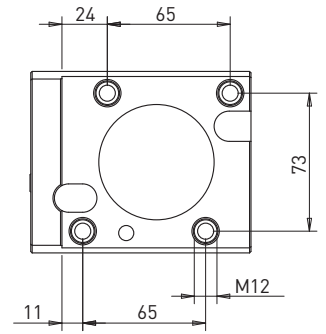
Art. / Code	Art. / Code OKUMA	D	H1	H2	L	Coolant IN	Coolant OUT
7K6D32	/	32	50	105	133	✓	✓
7K6D32 R	/	32	50	105	133	✓	✓
7K6D40	/	40	50	105	133	✓	✓
7K6D40 R	/	40	50	105	133	✓	✓

MODELLI / Models

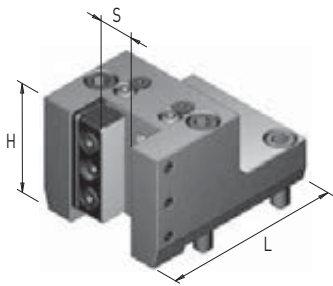
LB2000 EX / LB2500 EX / LB3000 EX (M-MW-MY-MYW)

LU2000 EX / LU2500 EX / LU3000 EX (M-MW-MY)

GENOS L300 (MY-MW-MYW)

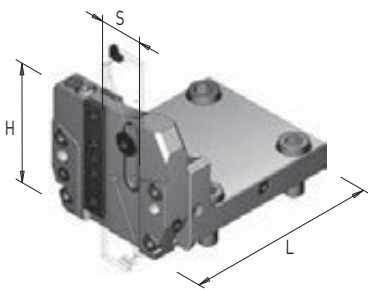


3



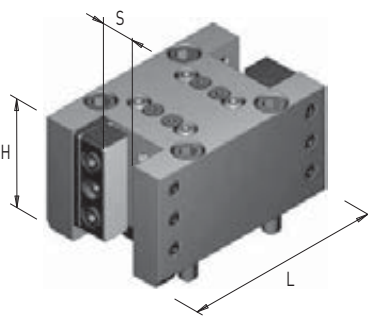
Art. / Code	Art. / Code OKUMA	S	H	L	Coolant IN	Coolant OUT
8K6V50	/	25X25	75	126	x	✓

4



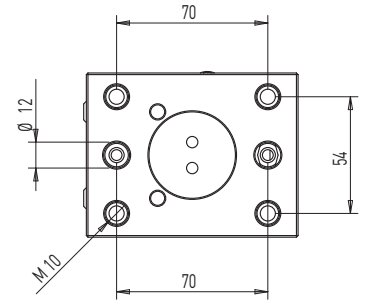
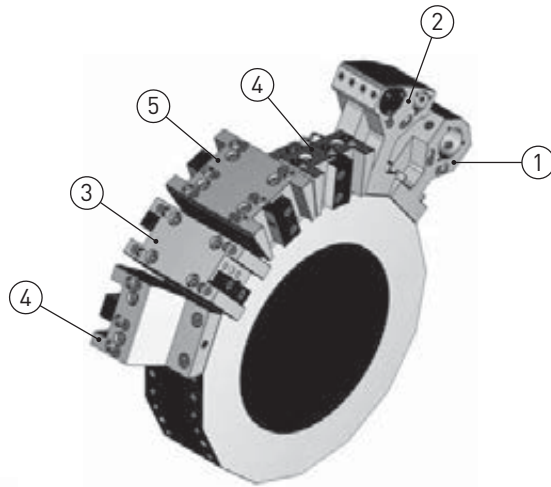
Art. / Code	Art. / Code OKUMA	S	H	L	Coolant IN	Coolant OUT
8K6B32	/	ISCAR32	85	126	✓	✓

5

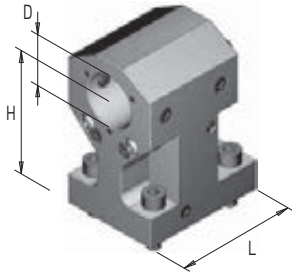


Art. / Code	Art. / Code OKUMA	S	H	L	Coolant IN	Coolant OUT
8K6D50	/	25X25	75	152	x	✓

MODELLI / Models
MT 12
MT 200

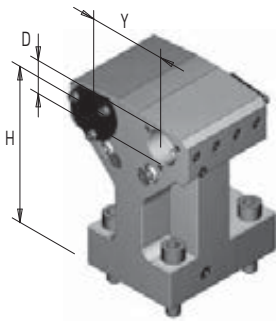


1



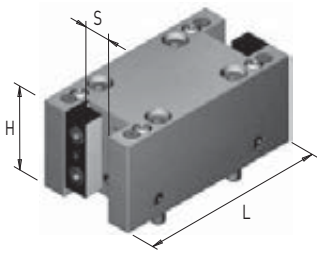
Art. / Code	Art. / Code MURATEC	D	H	L	Coolant IN	Coolant OUT
7MU5C40 H100	/	40	100	98	✓	✓

2



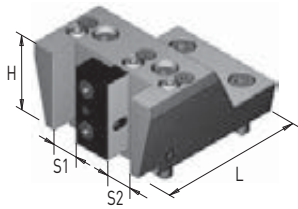
Art. / Code	Art. / Code MURATEC	D	H	Y	Coolant IN	Coolant OUT
7MU5D25 Y60	/	25	125	60	✓	✓

3



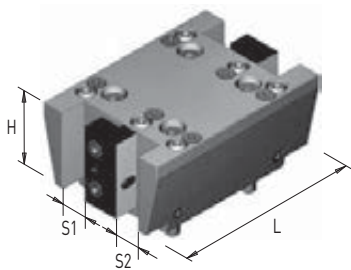
Art. / Code	Art. / Code MURATEC	S	H	L	Coolant IN	Coolant OUT
8MU5D40	/	20x20	69	150	X	✓

4



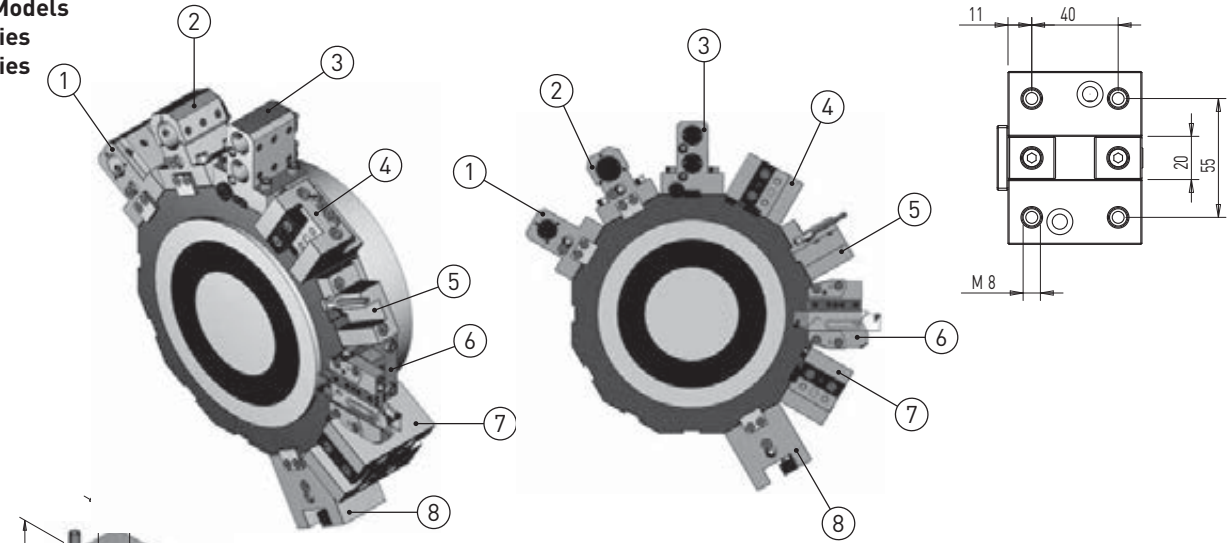
Art. / Code	Art. / Code MURATEC	S1	S2	H	L	Coolant IN	Coolant OUT
8MU5V20 D	/	20x20	20x20	69	124	X	✓

5

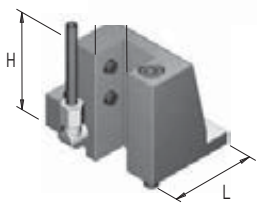


Art. / Code	Art. / Code MURATEC	S1	S2	H	L	Coolant IN	Coolant OUT
8MU5D20 Q	/	20x20	20x20	69	150	X	✓

MODELLI / Models
GLS 150 series
GLS 200 series



5

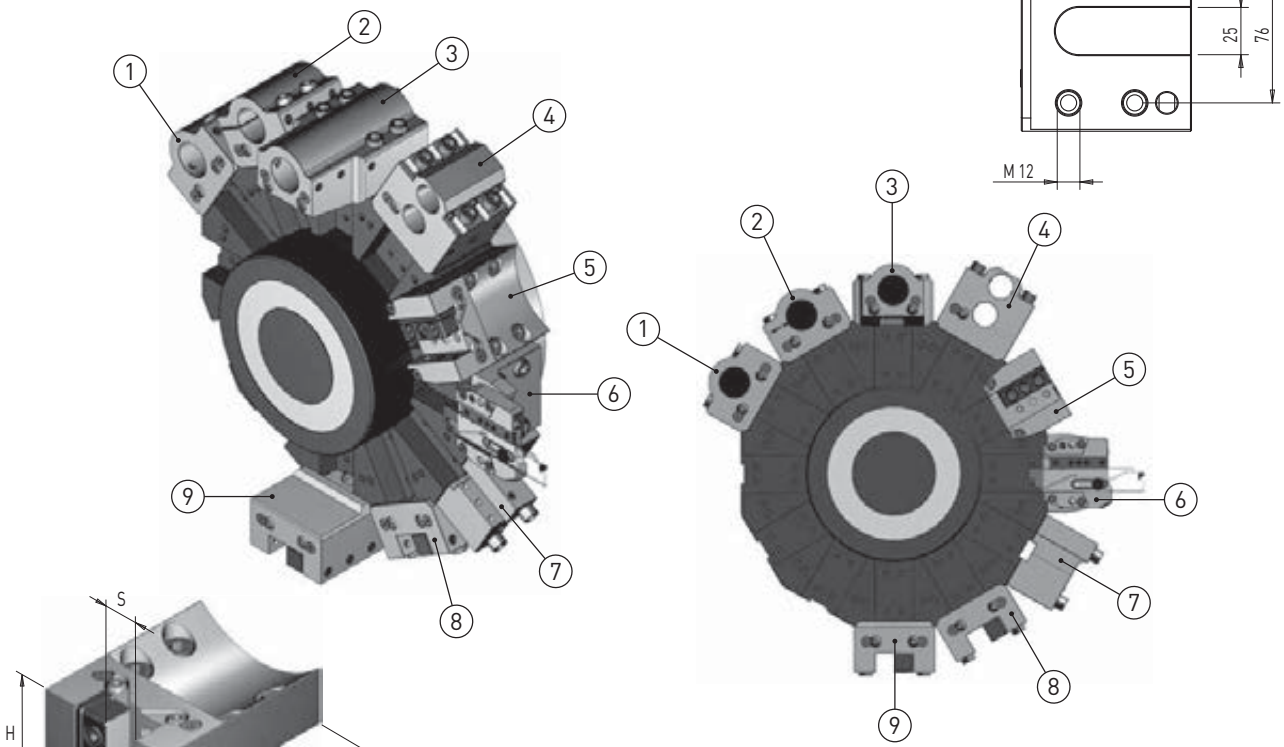


Art. / Code	Art. / Code GOODWAY	S	H	L	Coolant IN	Coolant OUT
8G3T20C	/	20x20	63	55	X	✓

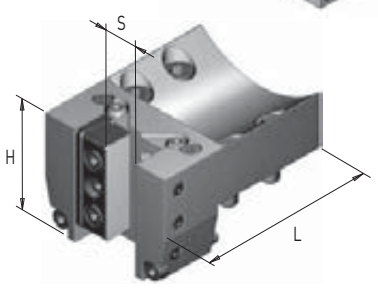
per i portautensili 1 / 2 / 3 / 4 / 6 / 7 / 8 vedi portautensili per NAKAMURA tipo 7N3... 8N3... a pag. 69
 for toolholder 1 / 2 / 3 / 4 / 6 / 7 / 8 see pag. 69 NAKAMURA type 7N3... 8N3...

MODELLI / Models

GA 200 / 260 / 280
GS 200 / 230 / 260 / 280
GA 2000 / 2600 / 2800 / 3000 / 3300 / 3600



5



Art. / Code	Art. / Code GOODWAY	S	H	L	Coolant IN	Coolant OUT
8G6T50	/	25x25	82	130	X	✓

per i portautensili 1 / 2 / 3 / 4 / 6 / 7 / 8 / 9 vedi portautensili per DMG-MORI SEIKI tipo 7M6... 8M6... a pag. 51
 for toolholder 1 / 2 / 3 / 4 / 6 / 7 / 8 / 9 see pag. 51 DMG-MORI SEIKI type 7M6... 8M6...