



# TSCHORN®

Mess- und Spannmittel



**SAVEplus**  
slim & low-cost



— precise. pioneering. worldwide. —

[www.3DTaster.de](http://www.3DTaster.de)



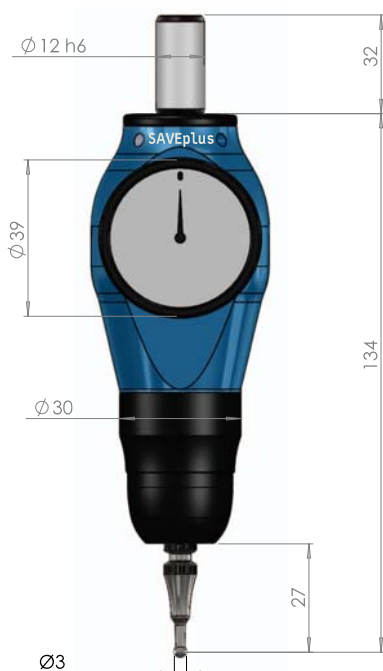


Adjustable scale

NON-MAGNETIC

Stainless steel

Solid carbide



3D-Tester SAVEplus



Probe tip long  
Item No. 00163D006



Probe tip standard  
Item No. 00163D003



Item No.	Description	Shank	Length	Tracer
00163B05I	3D-Tester SAVEplus with inch clock	Ø ½"	approx. 134	Ø 3
00163BI12	3D-Tester SAVEplus with inch clock	Ø 12 mm	approx. 134	Ø 3
00163D003	Probe tip standard	-	27	Ø 3
00163D006	Probe tip long	-	62	Ø 6

## Tschorn GmbH

Measuring instruments  
and clamping tools  
Dieselstrasse 8  
73660 Urbach – Germany

Phone +49 7181 606 986 - 0  
Fax +49 7181 606 986 - 9  
info@tschorn-gmbh.de

Prices are ex-works including loading at the factory, however excluding packaging and unloading. Sales tax will be added to the price at the legal required amount. The Incoterms 2010: EXW Urbach apply. Our general terms are available on our website [www.tschorn-gmbh.de](http://www.tschorn-gmbh.de). Technical modifications are subject to change.

© Copyright Tschorn GmbH

All rights reserved. All pictures, graphics, images, texts, audio-, video- and animated data of this catalogue are subject to copyright or other rights to protect intellectual property. Copying, editing, changing or using this data in other electronic or printed publications are subject to prior explicit approval of Tschorn GmbH.

Photo credits:

Flag: © moonrun - Fotolia.com

Made in Germany: © jokatoons - Fotolia.com

[www.3DTaster.de](http://www.3DTaster.de)

Katalog 3DB15.1  
24.06.2016



For each 3D-Tester sold, we donate one euro to the "Kinderreich" programme of „Deutscher Kinderschutzbund Scharndorf/Waiblingen“. It will support children in our region who are suffering from poverty or are socially disadvantaged.